

JSY Series

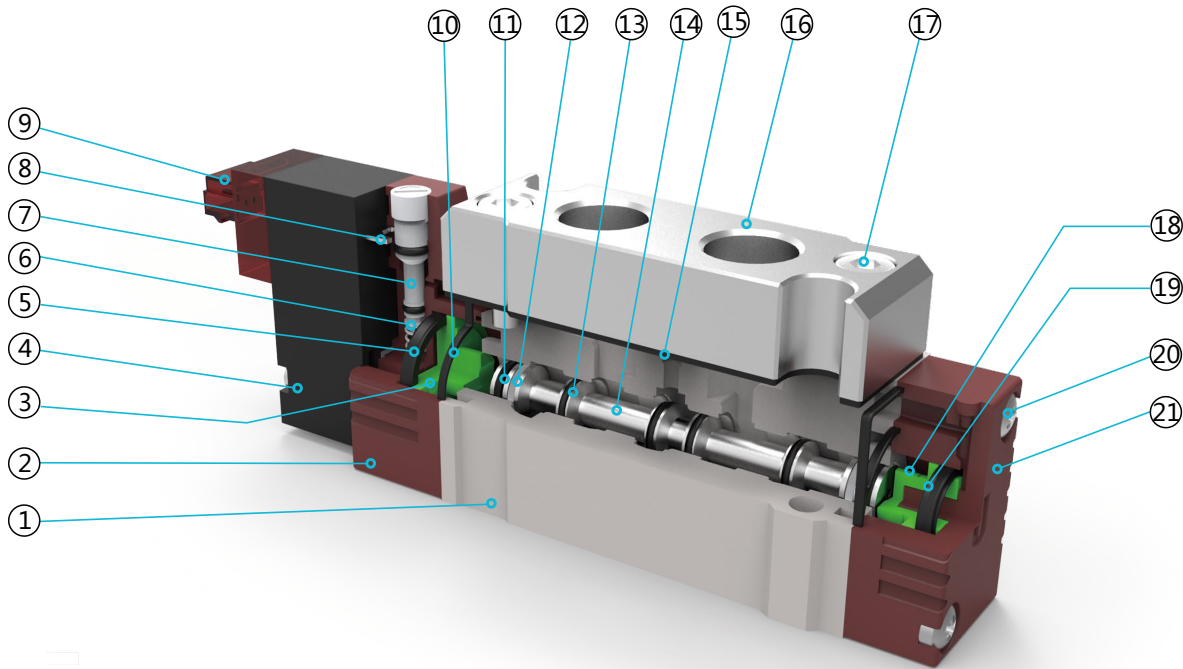
Solenoid Valve / Air piloted Valve



We make the difference

- NEW
- 5V100
- 5V200
- 5V300
- 5V400
- JSY
- JEL10
- JEL-JN
- 551
- 4F210
- JELVD
- DN
- DSN
- DN/DSN A
- MA
- MAC
- MA/MAC A
- MAL
- MALC
- MAL/MALC A
- SDA

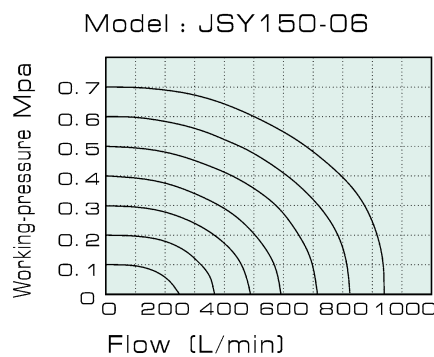
Internal Structure



Parts

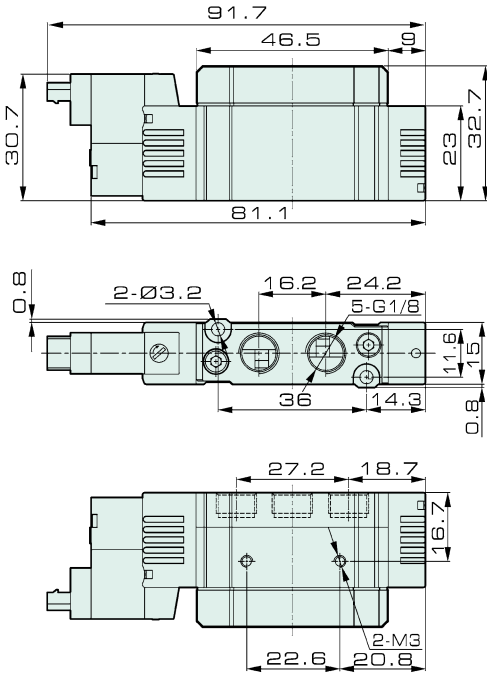
Number	Name	Number	Name	Number	Name
1	Valve body	8	Plug unit	15	Connecting seal
2	Pilot base	9	Pilot	16	Connecting plate
3	Pilot piston	10	Dysmorphism seal	17	Screw
4	Cross slot pan screw	11	Valve spool Y ring	18	Reset piston
5	Piston Y ring	12	Anti-friction seal	19	Reset piston Y plug
6	Spring	13	Flat ring	20	Cross slot pan screw
7	Manual ride spindle	14	Valve spool	21	Back cover

Flow Chart

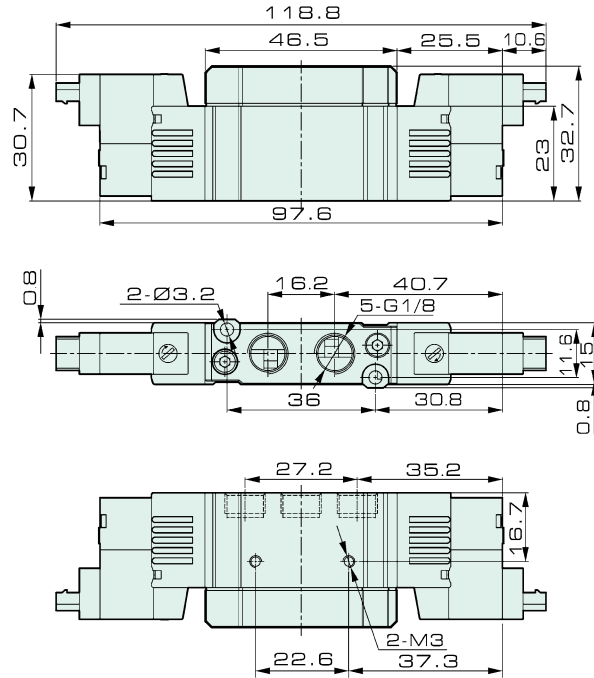


Overall Dimension

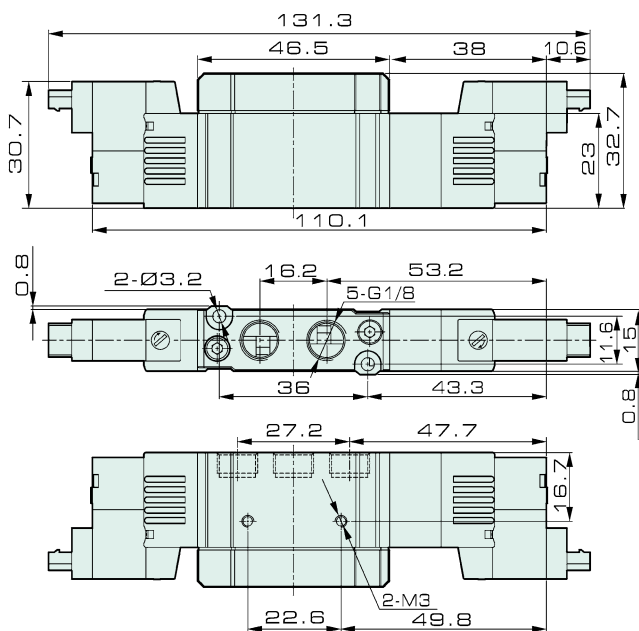
JSY150



JSY152



JSY153



NEW

5V100

5V200

5V300

5V400

JSY

JEL10

JEL-JN

551

4F210

JELVD

DN

DSN

DN/DSN A.

MA

MAC

MA/MAC A.

MAL

MALC

MAL/MALC A.

SDA