



3AJZF-15



3VJZF-25

Ordering Code

| 3V | JZF | 15 | AS | AC110V | W |
|---|---|--|---|--|--|
| Specification | Stop Type | Port Size | Operation | Standard Voltage | Wiring |
| 3V: 3/2 way solenoid valve 3A: 3/2 way air pilot valve | V: Solenoid valve A: Air Pilot valve | 10: G 3/8" 15: G 1/2" 20: G 3/4" 25: G 1" | Blank: Internal Piloted AS: External Piloted | DC12V DC24V AC24V 50Hz/60Hz AC110V 50Hz/60Hz AC220V 50Hz/60Hz AC380V 50Hz/60Hz | Blank: Without light terminal LD: Brown with light terminal LD1: White with light terminal W: Lead wire |

Specification

| Model | 3VJZF-15/10 | 3VJZF-25/20 | 3AJZF-15/10 | 3AJZF-25/20 |
|-----------------------------|----------------|--------------|----------------|--------------|
| Working Medium | Air | | | |
| Operation | Stop Type | | | |
| Orifice | 16 mm | 25 mm | 16 mm | 25 mm |
| Port Size | G 1/2", G 3/8" | G 1", G 3/4" | G 1/2", G 3/8" | G 1", G 3/4" |
| Working-pressure | 0 ~ 1.0 MPa | | | |
| Max. Test Pressure | 1.5 MPa | | | |
| Operating Voltage Tolerance | ± 10% | | | |
| Material of Body | Aluminum | | | |

- Valve
- DJF
- JELMP
- JELP/G
- MCS
- 4V100
- 4V200
- 4V300
- 4V400
- Manifold
- SV
- 3V1
- JEL
- 3VJZF**
- 4VJZF
- MVSD
- VF, VZ
- BM
- Diaphragm
- Coil
- 2V
- 2W
- 2W(Big)
- 2P
- 2L
- VX
- PU
- PU225
- 2Q
- JEL5404
- JEL6213
- BU
- Pulse
- JELJZF
- 4H
- TSV
- MPV
- 4HV
- HV, K
- 4R
- FV
- MSV
- JM
- ASC, RE
- QE, QEA
- ST
- HSV

3VJZF Series

3/2 Way Stop Solenoid Valve

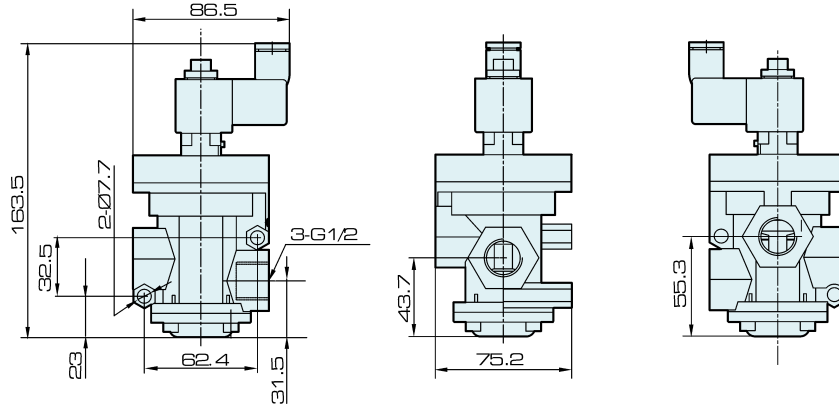
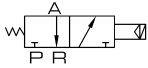


We make the difference

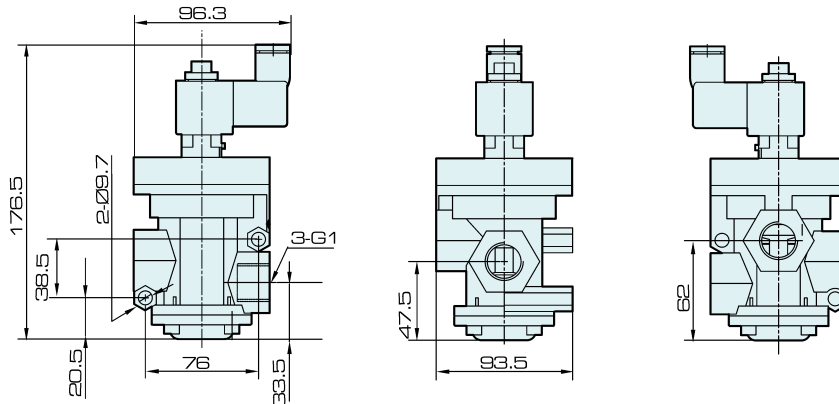
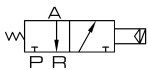
Overall Dimension

| |
|--------------|
| Valve |
| DJF |
| JELMP |
| JELP/G |
| MCS |
| 4V100 |
| 4V200 |
| 4V300 |
| 4V400 |
| Manifold |
| SV |
| 3V1 |
| JEL |
| 3VJZF |
| 4VJZF |
| MVSD |
| VF, VZ |
| BM |
| Diaphragm |
| Coil |
| 2V |
| 2W |
| 2W(Big) |
| 2P |
| 2L |
| VX |
| PU |
| PU225 |
| 2Q |
| JEL5404 |
| JEL6213 |
| BU |
| Pulse |
| JELJZF |
| 4H |
| TSV |
| MPV |
| 4HV |
| HV, K |
| 4R |
| FV |
| MSV |
| JM |
| ASC, RE |
| QE, QEA |
| ST |
| HSV |

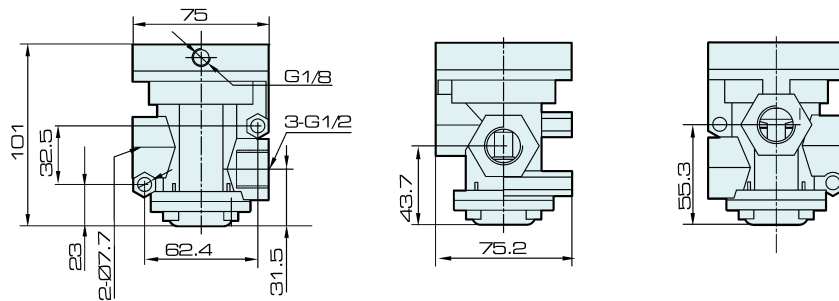
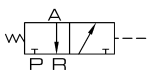
3VJZF-15



3VJZF-25



3AJZF-15



3AJZF-25

