

# VF, VZ Series Solenoid Valve



We make the difference

- Valve
- DJF
- JELMP
- JELP/G
- MCS
- 4V100
- 4V200
- 4V300
- 4V400
- Manifold
- SV
- 3V1
- JEL
- 3VJZF
- 4VJZF
- MVSD
- VF, VZ
- BM
- Diaphragm
- Coil
- 2V
- 2W
- 2W(Big)
- 2P
- 2L
- VX
- PU
- PU225
- 2Q
- JEL5404
- JEL6213
- BU
- Pulse
- JELJZF
- 4H
- TSV
- MPV
- 4HV
- HV, K
- 4R
- FV
- MSV
- JM
- ASC, RE
- QE, QEA
- ST
- HSV



VZ5120



VF3330



VF3130



VF5120



VF3230



VF3130

## Ordering Code

<b>VF3</b>	<b>1</b>	<b>30</b>	<b>AC110V</b>	<b>W</b>	<b>F</b>
Series	Coil and Initial Status	Ordering Number	Standard Voltage	Wiring	Joint
VF3 Series	1: Single coil	VF3: 30	DC12V DC24V	Blank: Without light terminal	1 F-20 F
VF5 Series	2: Double coil	VF5: 20	AC24V 50Hz/60Hz	LD: Brown with light terminal	
VZ5 Series	3: Mid-position Closed	VZ5: 20	AC110V 50Hz/60Hz	LD1: White with light terminal	
	4: Mid-position Pressed		AC220V 50Hz/60Hz	W: Lead wire	
	5: Mid-position Exhausted		AC380V 50Hz/60Hz		

## Specification

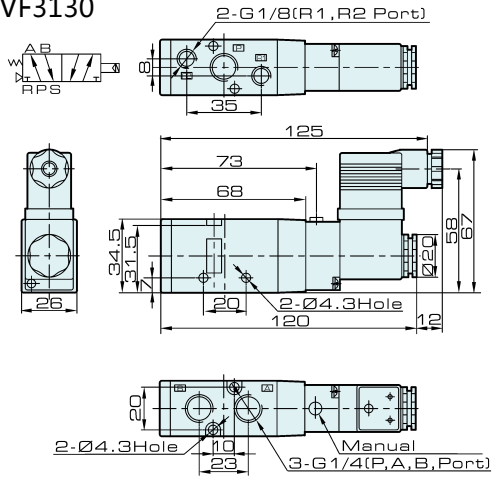
Model	VF3130	VF3230	VF33(4/5)30	VF5120	VF5220	VF53(4/5)50	VZ5120	VZ5220	VZ53(4/5)50
Valve Type	5/2 way		5/3 way	5/2 way		5/3 way	5/2 way		5/3 way
Effective Cross Section Area	16 mm <sup>2</sup> (CV = 0.89)	12mm <sup>2</sup> (CV=0.67)	25 mm <sup>2</sup> (CV = 1.40)	18 mm <sup>2</sup> (CV=1.00)		12 mm <sup>2</sup> (CV = 0.67)	9 mm <sup>2</sup> (CV=0.50)		
Working Medium	40 Micron Filtered Air								
Operation	Internal Piloted								
Working-pressure	0.15 ~ 0.8 MPa								
Max. Test Pressure	1.2 MPa								
Ambient Temperature	5 ~ 50 °C								
Operating Voltage Tolerance	± 10%								
Power Consumption	AC: 5.5 VA DC: 4.8 W								
Protect Class	F Class, IP 65								
Wiring / Connector	Cable / Lead Wire or DIN Connector								
Switching Frequency	5 Cycles / Sec.								
Response Time	0.05 Sec.								

## Base Ordering Code

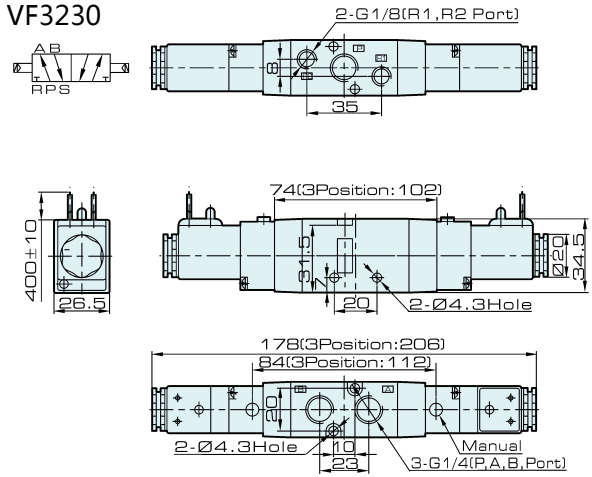
<b>VF3000M</b>	<b>□ F</b>
Series	Joint Base Number
VF3000M : VF3 Series	VF3000M : 1~20 F
VF5000M : VF5 Series	VF5000M : 1~20 F
VZ5000M : VZ5 Series	VZ5000M : 1~20 F

## Overall Dimension

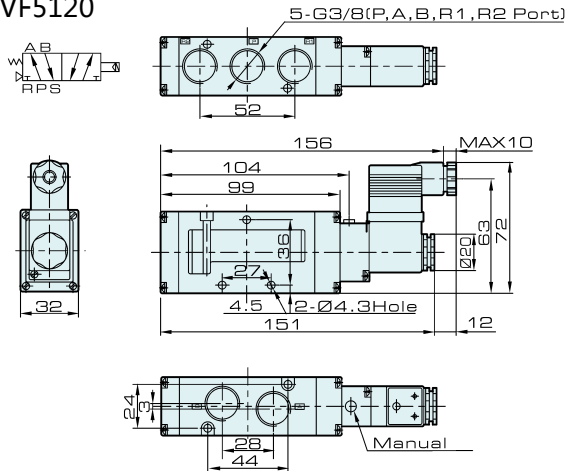
### VF3130



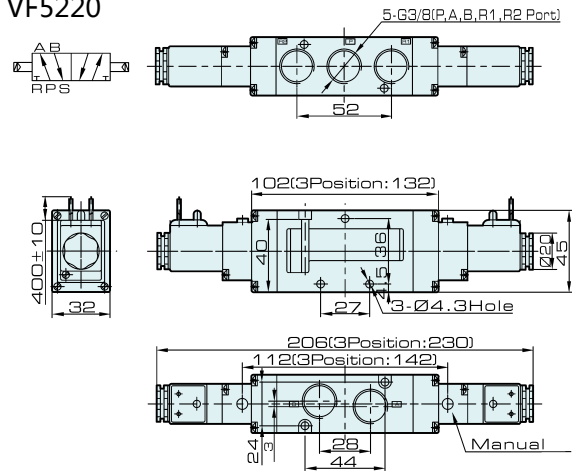
### VF3230



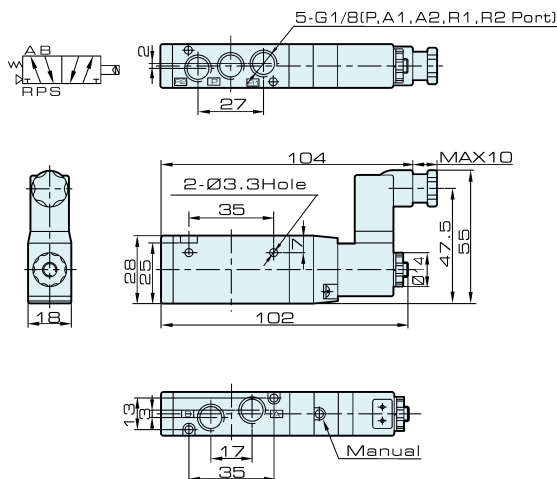
### VF5120



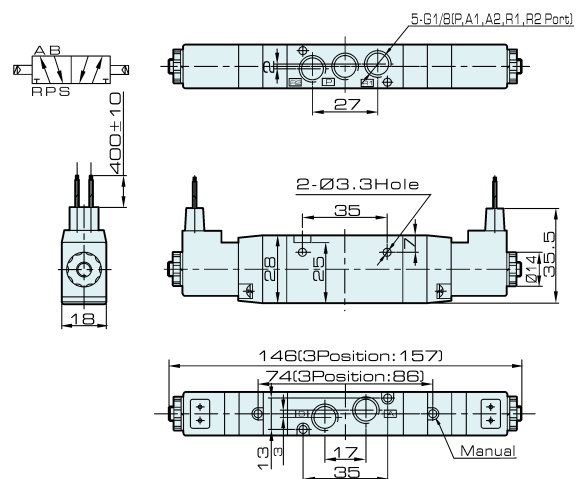
### VF5220



### VZ5120



### VZ5220



## Valve

- DJF
- JELMP
- JELP/G
- MCS
- 4V100
- 4V200
- 4V300
- 4V400
- Manifold
- SV
- 3V1
- JEL
- 3VJZF
- 4VJZF
- MVSD
- VF, VZ**
- BM
- Diaphragm
- Coil
- 2V
- 2W
- 2W(Big)
- 2P
- 2L
- VX
- PU
- PU225
- 2Q
- JEL5404
- JEL6213
- BU
- Pulse
- JELJZF
- 4H
- TSV
- MPV
- 4HV
- HV, K
- 4R
- FV
- MSV
- JM
- ASC, RE
- QE, QEA
- ST
- HSV

# VF, VZ Series Solenoid Valve

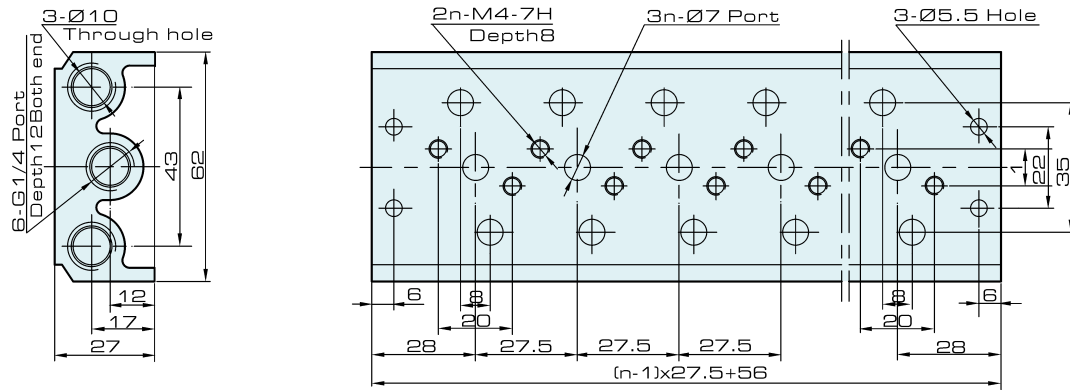


We make the difference

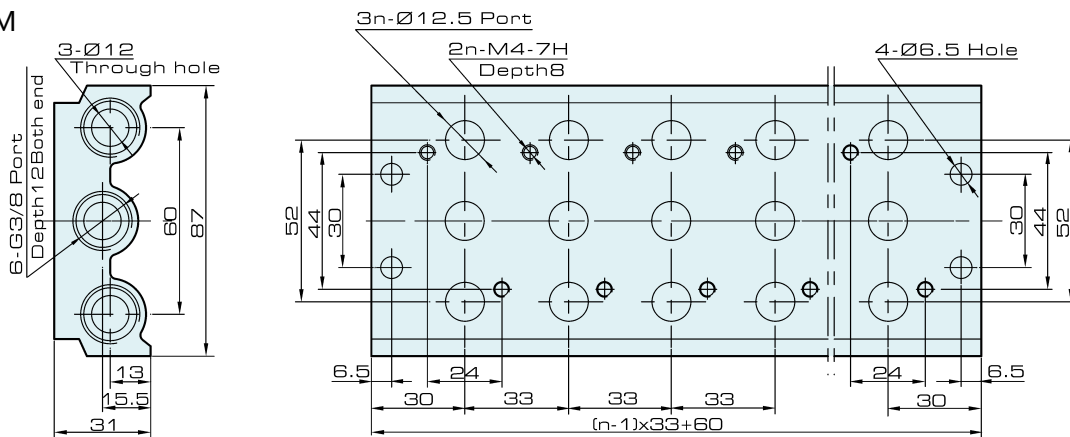
- Valve
- DJF
- JELMP
- JELP/G
- MCS
- 4V100
- 4V200
- 4V300
- 4V400
- Manifold
- SV
- 3V1
- JEL
- 3VJZF
- 4VJZF
- MVSD
- VF, VZ**
- BM
- Diaphragm
- Coil
- 2V
- 2W
- 2W(Big)
- 2P
- 2L
- VX
- PU
- PU225
- 2Q
- JEL5404
- JEL6213
- BU
- Pulse
- JELJZF
- 4H
- TSV
- MPV
- 4HV
- HV, K
- 4R
- FV
- MSV
- JM
- ASC, RE
- QE, QEA
- ST
- HSV

## Overall Dimension

### VF3000M



### VF5000M



### VZ5000M

