

551 Series NAMUR Solenoid valve



We make the difference

- NEW
- 5V100
- 5V200
- 5V300
- 5V400
- JSY
- JEL10
- JEL-JN
- 551
- 4F210
- JELVD
- DN
- DSN
- DN/DSN A
- MA
- MAC
- MA/MAC A
- MAL
- MALC
- MAL/MALC A
- SDA

Features

- Aluminum valve body, with thread connector and Namur interface.
- A slide valve can be assembled to 3/2 closed or 5/2 in order to control acting and single acting actuator.
- With hand operator.
- Coil can be rotated 360°.



European standard explosion-proof



American standard explosion-proof

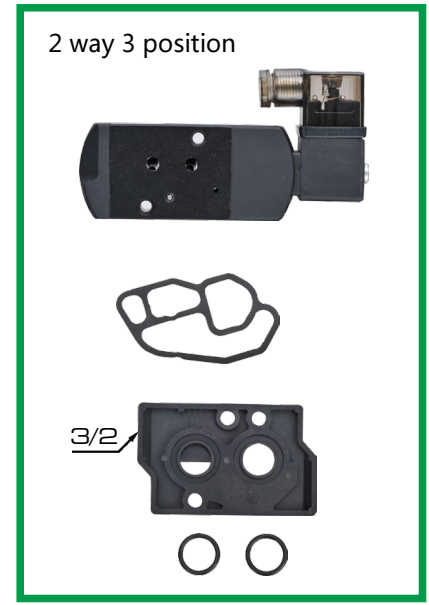
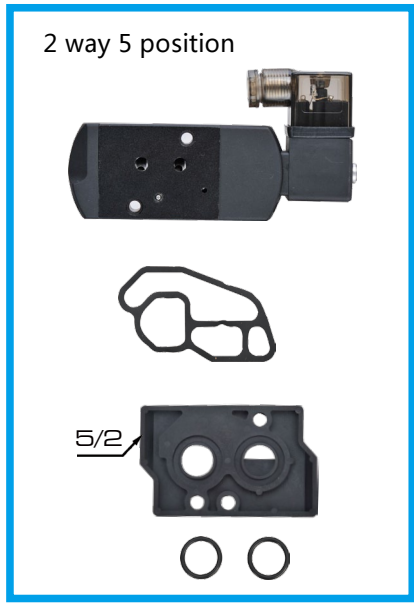


Safe explosion-proof

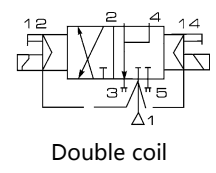
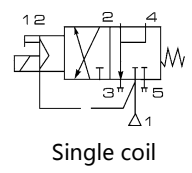
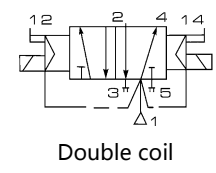
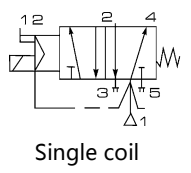
Ordering Code

NAMUR551	G	A01	DC24V	E1
Series Code	Tube Form	Coil Type	Standard Voltage	Explosion Code
NAMUR551 Series	Blank: Subplate mounted G: Tube connection	A01: Single coil A02: Double coil	DC24V AC110V AC220V	E1: Safe explosion-proof E2: European standard explosion-proof E3: American standard explosion-proof

Install Instruction



Symbol



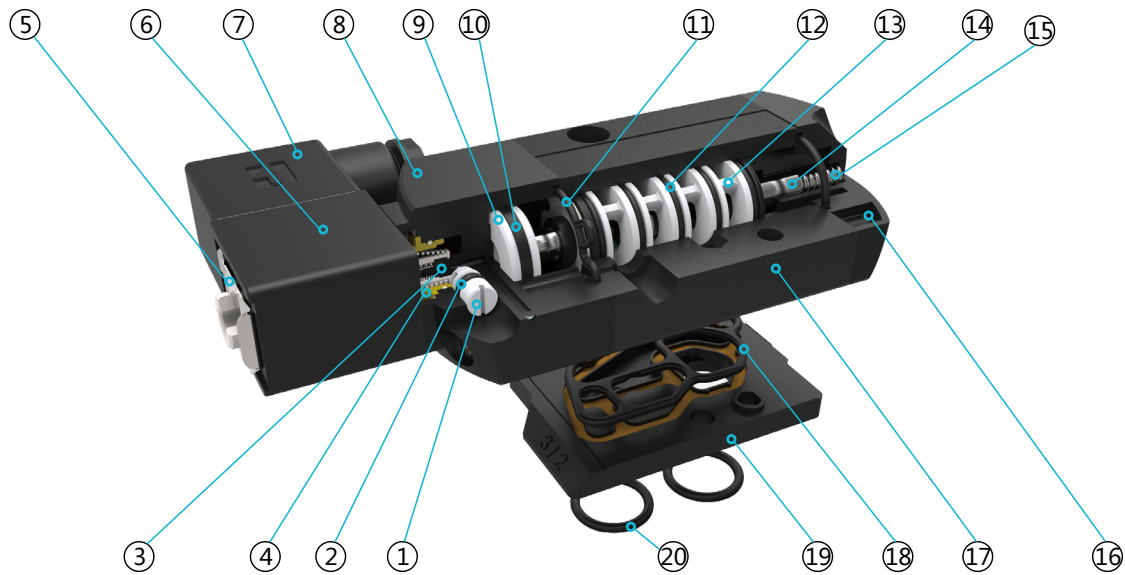
Specification

Working Pressure	2-10bar
Max Pressure	10bar
Flow Rate	700L/min
Medium	Air, Clean air
Ambient Temperature	-25°C to +60°C
Seal	NBR+PUR
Port Size	Inlet=G1/4" Exhaust=G1/8"

Feature

Coil Power	DC 3W; AC 4VA
Standard Voltage	DC24V; AC220V
Voltage Tolerance	± 10%
Insulation Class	F
Protect Class	IP65
Operation	100%

Internal Structure



Parts

Number	Name	Number	Name
1	Manual Ride Spindle	11	Seal
2	O ring	12	O ring
3	Seal	13	Sleeve
4	Spring	14	Spool
5	Clip	15	Spring
6	Coil	16	End-cap
7	Terminal	17	Body
8	Pilot Set	18	Seal
9	Piston	19	Corverting Plate
10	Piston Seal	20	O ring