



Valve

- DJF
- JELMP
- JELP/G
- MCS
- 4V100
- 4V200
- 4V300
- 4V400
- Manifold

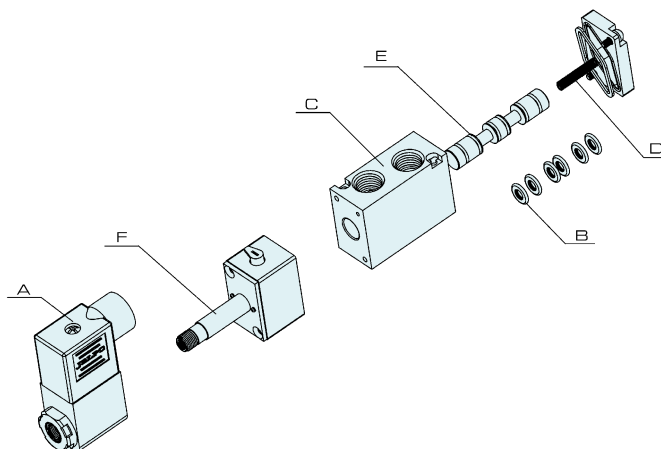
SV

- 3V1
- JEL
- 3VJZF
- 4VJZF
- MVSD
- VF, VZ
- BM
- Diaphragm
- Coil
- 2V
- 2W
- 2W(Big)
- 2P
- 2L
- VX
- PU
- PU225
- 2Q
- JEL5404
- JEL6213
- BU
- Pulse
- JELJZF
- 4H
- TSV
- MPV
- 4HV
- HV, K
- 4R
- FV
- MSV
- JM
- ASC, RE
- QE, QEA
- ST
- HSV

Ordering Code

SV	C	52	2	S	AC220V	W
Model	Series Code	Specification	Port Size	Coil and Position	Working Voltage	Wiring Form
	Blank: Imported armature C: Imported armature + coil	52: 2/5 way 53: 3/5 way 32: 2/3 way	1: G 1/8" 2: G 1/4" 3: G 3/8" 4: G 1/2"	S: Single-coil double-position D: Double-coil double-position C: Double-coil three-position closed E: Double-coil three-position exhausted P: Double-coil three-position pressed	DC12V DC24V AC110V (50/60)Hz AC220V (50/60)Hz AC380V (50/60)Hz	Blank: Standard terminal LD: Brown with lighting terminal LD1: White with lighting terminal W: Lead wire type

Specification



Feature



CE certified coil with IP65



Key sealing imported from Japan ensures long service life and better friction-resistance.



Valve body is processed by good precision Japan imported CNC tapping center, ensuring accurate concentric to best min. friction.

Imported piano wire ensures high elastic coefficient of valve spring to minimize any delay during operation.



Spool is processed by machine tool with auto feeder and its deviation is minimized.

Armature is imported from Germany with longer service life and increase the quality of diamagnetism.