

JEL Series Solenoid Valve



We make the difference



- Valve
- DJF
- JELMP
- JELP/G
- MCS
- 4V100
- 4V200
- 4V300
- 4V400
- Manifold
- SV
- 3V1
- JEL
- 3VJZF
- 4VJZF
- MVSD
- VF, VZ
- BM
- Diaphragm
- Coil
- 2V
- 2W
- 2W(Big)
- 2P
- 2L
- PU
- PV
- PU225
- 2Q
- JEL5404
- JEL6213
- BU
- Pulse
- JELJZF
- 4H
- TSV
- MPV
- 4HV
- HV, K
- 4R
- FV
- MSV
- JM
- ASC, RE
- QE, QEA
- ST
- HSV

Ordering Code

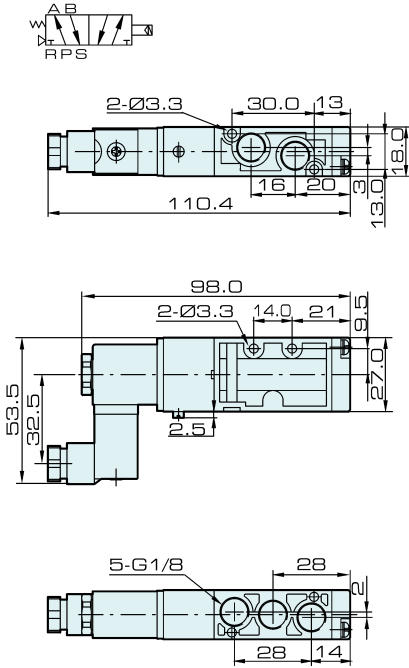
JEL	V	52	2	S	AC220V	W	F
JELPC	Type	Position and Way	Port Size	Coil and Places	Standard Voltage	Wiring	Joint
	V: Solenoid valve A: Air pilot valve	52: 5/2 Way 53: 5/3 Way 32: 3/2 Way 22: 3/2 Way	1: G 1/8" 2: G 1/4" 3: G 3/8" 4: G 1/2"	10: Single coil 20: Double coil 30C: Mid-position closed 30E: Mid-position exhausted 30P: Mid-position pressed	DC12V DC24V AC24V 50Hz/60Hz AC110V 50Hz/60Hz AC220V 50Hz/60Hz AC380V 50Hz/60Hz	Blank: Without light terminal LD: Brown with light terminal LD1: White with light terminal W: Lead wire	1 F-20 F

Specification

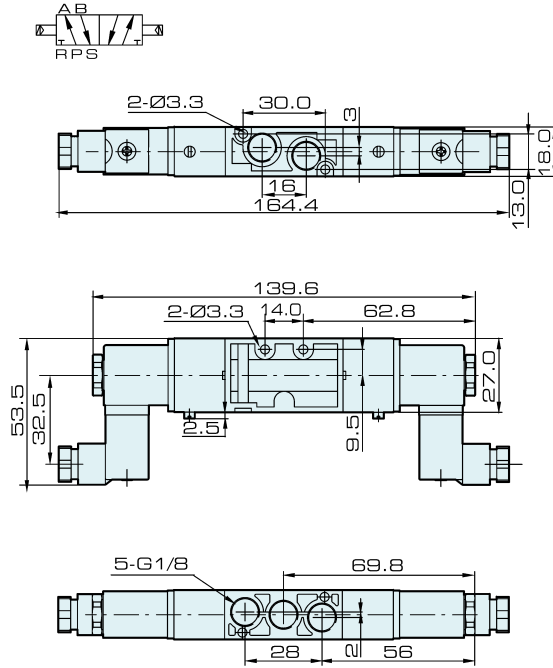
Model	JELV521S	JELV521D	JELV531C (E/P)	JELV522S	JELV522D	JELV532C (E/P)	JELV523S	JELV523D	JELV533C (E/P)	JELV524S	JELV524D	JELV534C (E/P)
	JELA521S	JELA521D	JELA531C (E/P)	JELA522S	JELA522D	JELA532C (E/P)	JELA523S	JELA523D	JELA533C (E/P)	JELA524S	JELA524D	JELA534C (E/P)
Valve Type	5/2 Way		5/3 Way	5/2 Way		5/3 Way	5/2 Way		5/3 Way	5/2 Way		5/3 Way
Effective Cross Section Area	12 mm ² (CV = 0.67)		9 mm ² (CV=0.5)	14 mm ² (CV = 0.78)		12 mm ² (CV=0.69)	25 mm ² (CV = 1.40)		18 mm ² (CV=1.00)	50 mm ² (CV = 2.79)		30 mm ² (CV=1.68)
Working Medium	40 Micron Filtered Air											
Operation	Internal piloted											
Working-pressure	0.15 ~ 0.8 MPa											
Max. Test Pressure	1.2 MPa											
Max. Ambient Temperature	5 ~ 50 °C											
Operating Voltage Tolerance	± 10%											
Power Consumption	AC: 5.5 VA DC: 4.8 W											
Connector Protection	F Class, IP 65											
Wiring / Connector	Cable / Lead Wire or DIN Connector											
Switching Frequency	5 Cycles / Sec.											
Response Time	0.05 Sec.											

Overall Dimension

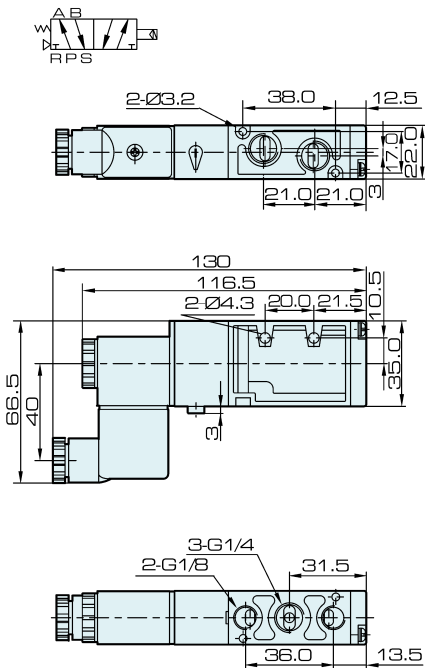
JEL521S



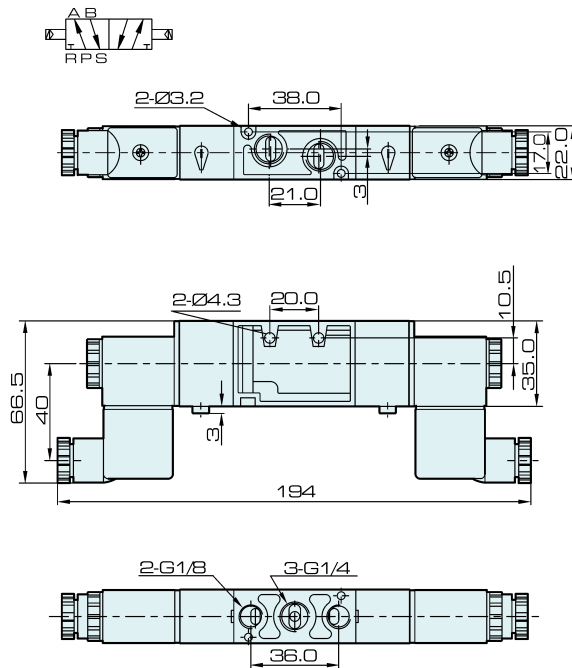
JEL521D



JEL522S



JEL522D



Valve

- DJF
- JELMP
- JELP/G
- MCS
- 4V100
- 4V200
- 4V300
- 4V400
- Manifold
- SV
- 3V1
- JEL**
- 3VJZF
- 4VJZF
- MVSD
- VF, VZ
- BM
- Diaphragm
- Coil
- 2V
- 2W
- 2W(Big)
- 2P
- 2L
- VX
- PU
- PU225
- 2Q
- JEL5404
- JEL6213
- BU
- Pulse
- JELJZF
- 4H
- TSV
- MPV
- 4HV
- HV, K
- 4R
- FV
- MSV
- JM
- ASC, RE
- QE, QEA
- ST
- HSV

JEL Series Solenoid Valve

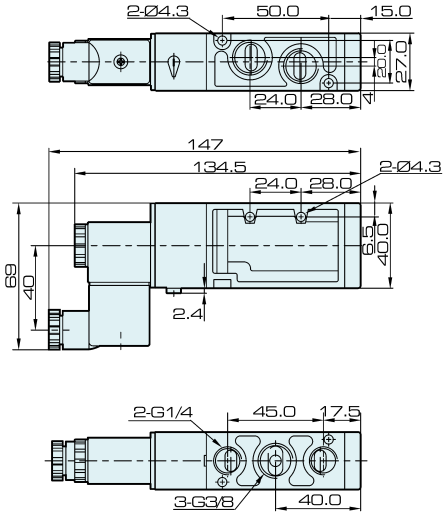


We make the difference

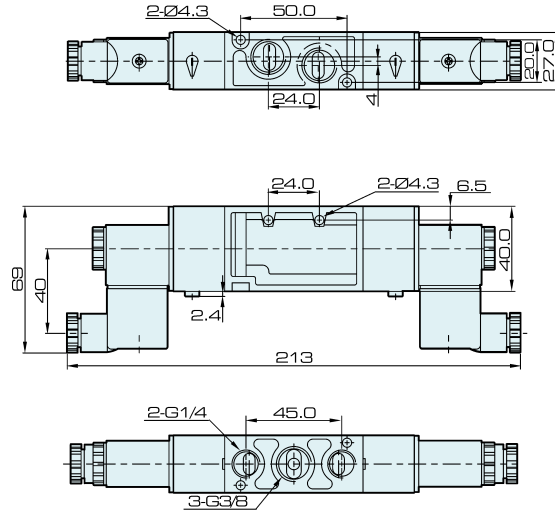
Overall Dimension

- Valve
- DJF
- JELMP
- JELP/G
- MCS
- 4V100
- 4V200
- 4V300
- 4V400
- Manifold
- SV
- 3V1
- JEL
- 3VJZF
- 4VJZF
- MVSD
- VF, VZ
- BM
- Diaphragm
- Coil
- 2V
- 2W
- 2W(Big)
- 2P
- 2L
- VX
- PU
- PU225
- 2Q
- JEL5404
- JEL6213
- BU
- Pulse
- JELJZF
- 4H
- TSV
- MPV
- 4HV
- HV, K
- 4R
- FV
- MSV
- JM
- ASC, RE
- QE, QEA
- ST
- HSV

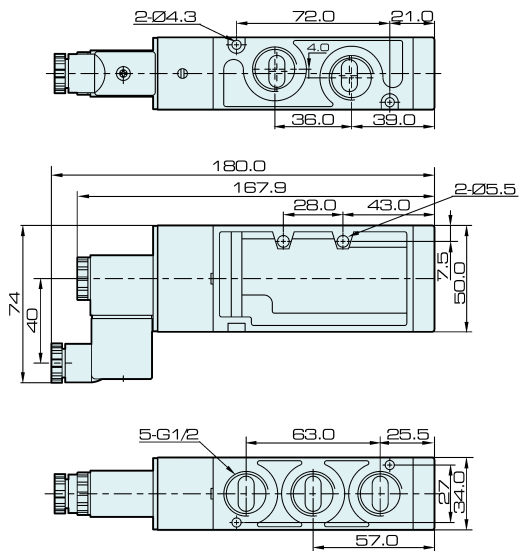
JEL523S



JEL523D



JEL524S



JEL524D

