

# 4HV Series Hand Switching Valve



We make the difference

Ceramic Seal



4HV230C-08

4HV330C-10

## Ordering Code

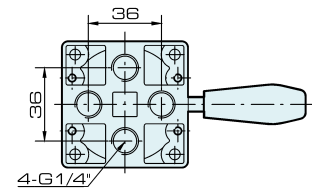
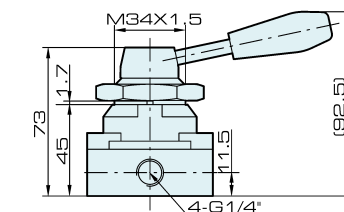
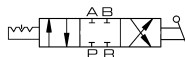
4HV	2	30	C	06	TC	S
Specification	Series	Position Number	Middle Position	Port Size	Seal Form	Nut
4HV: Hand Switching Valve	2: 2 Series 3: 3 Series 4: 4 Series	10: 4/2 way 30: 4/3 way	C: Mid-position Closed E: Mid-position Exhausted P: Mid-position Pressed	06: G 1/8" 08: G 1/4" 10: G 3/8" 15: G 1/2" 20: G 3/4"	Blank: NBR Ceramic: TC	Blank: Without nut S: With nut

## Specification

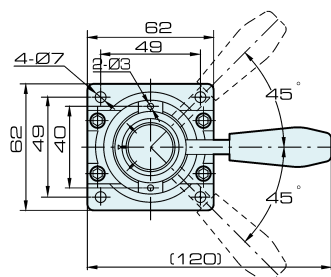
Model	4HV2□□□-06	4HV2□□□-08	4HV3□□□-08	4HV3□□□-10	4HV4□□□-15	4HV4□□□-20
Working Medium	40 Micron Filtered Air					
Port Size	G 1/8"	G 1/4"	G 1/4"	G 3/8"	G 1/2"	G 3/4"
Working Pressure	1.0 MPa					
Max. Test Pressure	1.2 MPa					
Max. Ambient Temperature	-5 ~ +60 °C					
Working Angle	90					

## Overall Dimension

### 4HV230C-08

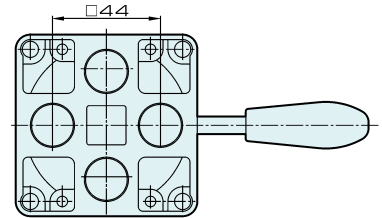
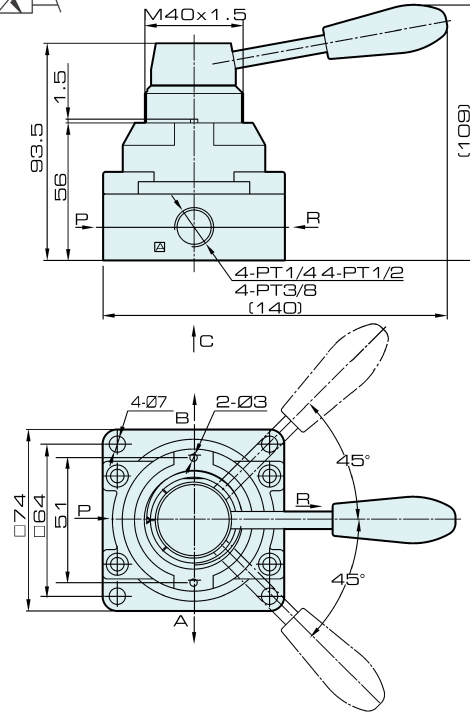
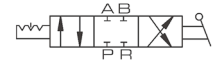


Base Installation

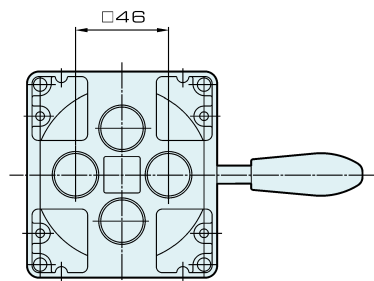
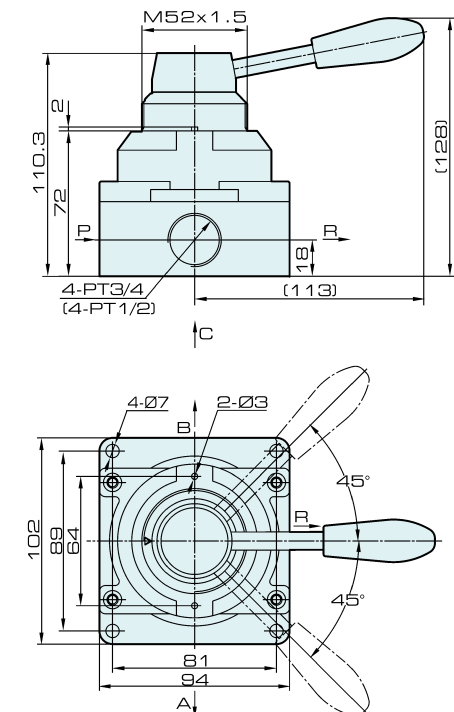
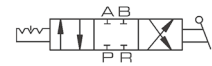


### Overall Dimension

4HV330C-10



4HV430C-15



### Valve

- DJF
- JELMP
- JELP/G
- MCS
- 4V100
- 4V200
- 4V300
- 4V400
- Manifold
- SV
- 3V1
- JEL
- 3VJZF
- 4VJZF
- MVSD
- VF, VZ
- BM
- Diaphragm
- Coil
- 2V
- 2W
- 2W(Big)
- 2P
- 2L
- VX
- PU
- PU225
- 2Q
- JEL5404
- JEL6213
- BU
- Pulse
- JELJZF
- 4H
- TSV
- MPV
- 4HV**
- HV, K
- 4R
- FV
- MSV
- JM
- ASC, RE
- QE, QEA
- ST
- HSV