



Valve

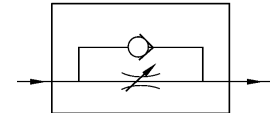
- DJF
- JELMP
- JELP/G
- MCS
- 4V100
- 4V200
- 4V300
- 4V400
- Manifold
- SV
- 3V1
- JEL
- 3VJZF
- 4VJZF
- MVSD
- VF, VZ
- BM
- Diaphragm
- Coil
- 2V
- 2W
- 2W(Big)
- 2P
- 2L
- VX
- PU
- PU225
- 2Q
- JEL5404
- JEL6213
- BU
- Pulse
- JELJZF
- 4H
- TSV
- MPV
- 4HV
- HV, K
- 4R
- FV
- MSV
- JM
- ASC, RE
- QE, QEA
- ST
- HSV

Ordering Code

ASC	06
Series Code	Port Size
ASC: Precision Flow Control Valve	06: G 1/8"
	08: G 1/4"
	10: G 3/8"
	15: G 1/2"

RE	01
Series Code	Port Size
RE: Standard flow control valve	01: G 1/8"
	02: G 1/4"
	03: G 3/8"
	04: G 1/2"

Symbol



Specification

Model	Accurate Type				Ordinary Type			
	ASC-06	ASC-08	ASC-10	ASC-15	RE-01	RE-02	RE-03	RE-04
Port Size	G 1/8"	G 1/4"	G 3/8"	G 1/2"	G 1/8"	G 1/4"	G 3/8"	G 1/2"
Working Medium	Air							
Working Pressure	0 ~ 0.95 MPa							
Ambient Temperature	0 ~ 60 °C							

* ASC-08B installation conforms to NUMAR standard to control the speed of executive unit.

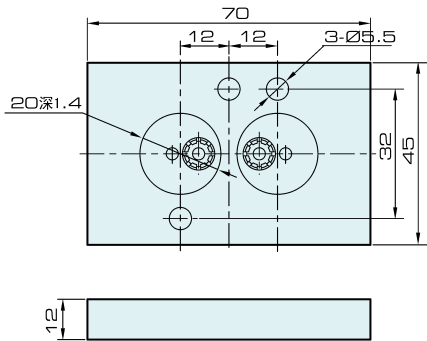
ASC, RE Series Flow Control Valve



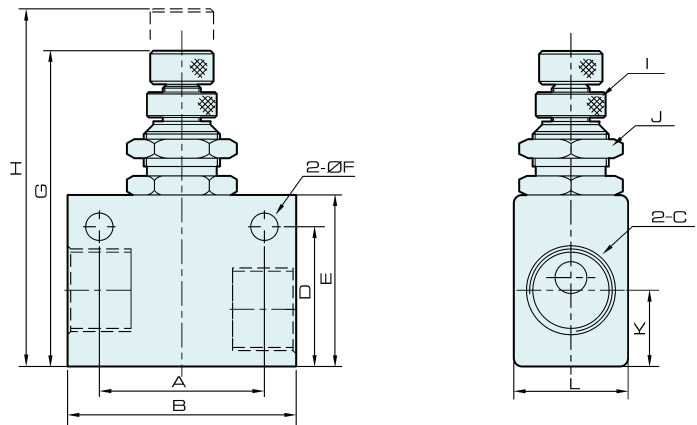
We make the difference

Overall Dimension

ASC-08B



ASC Series

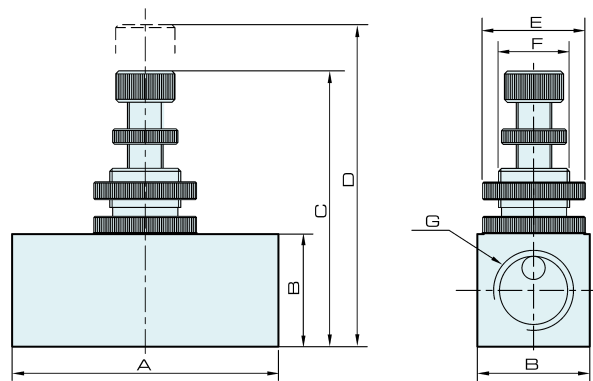


Dimension

Model Symbol	A	B	C	D	E	F	G	H	I	J	K	L
ASC-06	22	32	G 1/8	22	27	4.3	49.7	56.5	M 6 X 0.5	M 12 X 0.75	12	18
ASC-08	26	36	G 1/4	22	27	4.3	49.7	56.5	M 6 X 0.5	M 12 X 0.75	12	18
ASC-10	28	40	G 3/8	25	30	4.3	52.7	59.5	M 6 X 0.5	M 12 X 0.75	13	22
ASC-15	28	40	G 1/2	30	35	4.3	58.7	65.5	M 6 X 0.5	M 12 X 0.75	13.5	26

Overall Dimension

RE Series



Dimension

Model/ Symbol	A	B	C	D	E	F	G
RE-01	45	19	43	50	Φ19	M 14 × 1	G 1/8
RE-02	45	19	43	50	Φ19	M 14 × 1	G 1/4
RE-03	55	25	55	62	Φ25	M 18 × 1	G 3/8
RE-04	55	25	55	62	Φ25	M 18 × 1	G 1/2

- Valve
- DJF
- JELMP
- JELP/G
- MCS
- 4V100
- 4V200
- 4V300
- 4V400
- Manifold
- SV
- 3V1
- JEL
- 3VJZF
- 4VJZF
- MVSD
- VF, VZ
- BM
- Diaphragm
- Coil
- 2V
- 2W
- 2W(Big)
- 2P
- 2L
- VX
- PU
- PU225
- 2Q
- JEL5404
- JEL6213
- BU
- Pulse
- JELJZF
- 4H
- TSV
- MPV
- 4HV
- HV, K
- 4R
- FV
- MSV
- JM
- ASC, RE
- QE, QEA
- ST
- HSV