

FE Series

Air Filter Combination (Two Combination)



We make the difference

- FRL
- JC
- FE**
- GC
- ZYR10
- MAR300LK
- AC, BC
- AFC, BFC
- AF, BF
- AR, BR
- AFR, BFR
- AL, BL
- JAC
- JAF
- JAR
- JAW
- JAL
- PTH
- JAD



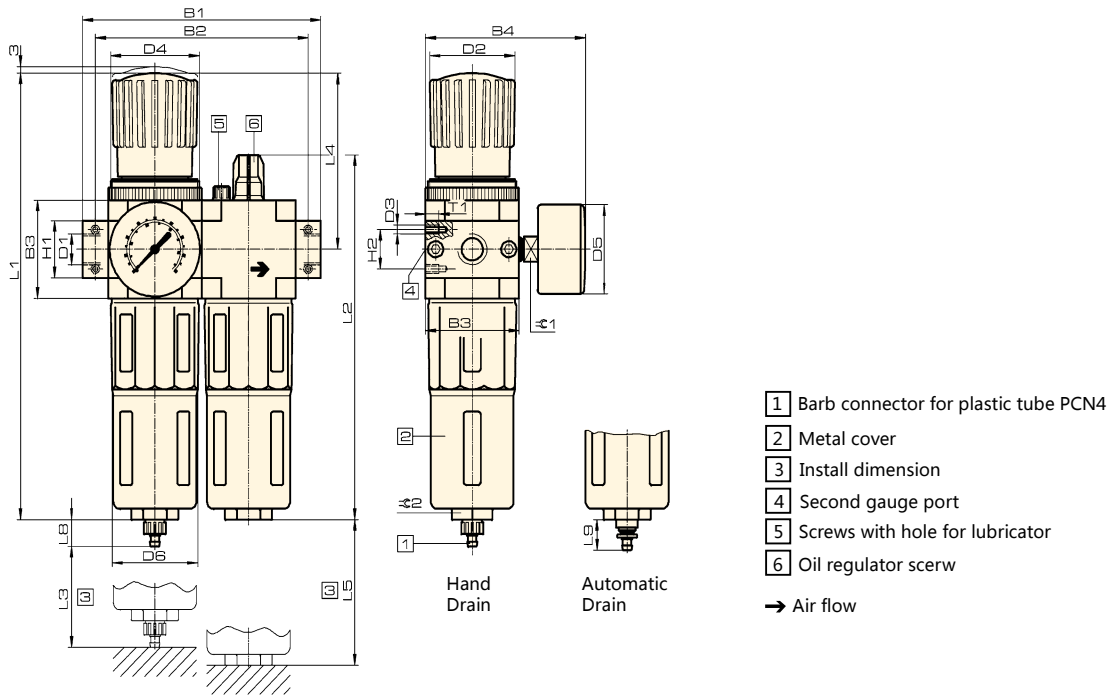
Ordering Code

| FRC | 3/4 | 7 | 5M | O | MAXI | A |
|------------------------|-----------|------------------------|--------------------|--------------------|-------------|--------------------|
| Standard | Port Size | Pressure Range | Filter Range | Gauge | Size | Drain Type |
| FRC : 2 Combination | G1/8 | Blank : 0.5 ... 12 bar | Blank : 40 μ m | Blank : With Gauge | MINI : Mini | Blank : Hand |
| LFR : Filter regulator | G1/4 | 7 : 0.5 ... 7 bar | 5M : 5 μ m | O : Without Gauge | MIDI : Mid | H : Semi Automatic |
| LR : Regulator | G3/8 | | | | MAXI : Max | A : Automatic |
| LF : Filter | G1/2 | | | | | |
| LOE : Lubricator | G3/4 | | | | | |
| | G1 | | | | | |

Specification

| Specification | Mini | | | Midi | | | Maxi | | |
|--------------------|---|------------|------|-------------|------|------|-------------|----|--|
| | G1/8 | G1/4 | G3/8 | G3/8 | G1/2 | G3/4 | G3/4 | G1 | |
| Port Size | G1/8 | G1/4 | G3/8 | G3/8 | G1/2 | G3/4 | G3/4 | G1 | |
| Working Medium | Compressed Air | | | | | | | | |
| Structure Features | Filter regulator, with/without gauge proportional Lubricater | | | | | | | | |
| Install Way | By Accessories | | | | | | | | |
| Install Position | Tube | | | | | | | | |
| Regulator Lock | Vertical $\pm 5^\circ$ | | | | | | | | |
| Filter Class | Rotary handle, with lock | | | | | | | | |
| Max Hysteresis | Rotary handle, with itergrated locks | | | | | | | | |
| Preessure Range | 5 or 40 | | | | | | | | |
| Preessure Display | 0.2 | | | | | | | | |
| Water Capacity | 0.5 ... 7 | | | | | | | | |
| Input Pressure | 0.5 ... 12 | | | | | | | | |
| | By Gauge | | | | | | | | |
| | G1/8 Preset | | | G1/4 Preset | | | G1/4 Preset | | |
| | 22 | | | 43 | | | 80 | | |
| Water | Hand | 1 ... 16 | | | | | | | |
| Exhaust | Semi Automatic | 1.5 ... 16 | | | | | | | |
| | Automatic | 2 ... 12 | | | | | | | |

Overall Dimension



FRL
JC
FE
GC
ZYR10
MAR300LK
AC, BC
AFC, BFC
AF, BF
AR, BR
AFR, BFR
AL, BL
JAC
JAF
JAR
JAW
JAL
PTH
JAD

Dimension

| Model | B1 | B2 | B3 | B4 | D1 | ΦD2 | D3 | D4 | ΦD5 | ΦD6 |
|--------------|-----|-----|----|-----|------|-----|----|---------|-----|-----|
| Mini | | | | | | | | | | |
| FRC-1/8-MINI | 104 | 92 | 40 | 76 | G1/8 | 31 | M4 | M36x1.5 | 41 | 38 |
| FRC-1/4-MINI | | | | | G1/4 | | | | | |
| FRC-3/8-MINI | | | | | G3/8 | | | | | |
| Midi | | | | | | | | | | |
| FRC-3/8-MIDI | 140 | 125 | 55 | 95 | G3/8 | 50 | M5 | M52x1.5 | 50 | 52 |
| FRC-1/2-MIDI | | | | | G1/2 | | | | | |
| FRC-3/4-MIDI | | | | | G3/4 | | | | | |
| Maxi | | | | | | | | | | |
| FRC-3/4-MAXI | 162 | 146 | 66 | 107 | G3/4 | 31 | M5 | M36x1.5 | 50 | 65 |
| FRC-1-MAXI | 182 | 157 | | | G1 | | | | | |

| Model | H1 | H2 | L1 | L2 | L3 | L4 | L5 | L8 | L9 | T1 | ∓C1 | ∓C2 |
|--------------|----|----|-----|-----|----|----|-----|----|----|----|-----|-----|
| Mini | | | | | | | | | | | | |
| FRC-1/8-MINI | 20 | 11 | 193 | 169 | 60 | 69 | 100 | 15 | 19 | 7 | 14 | 22 |
| FRC-1/4-MINI | | | | | | | | | | | | |
| FRC-3/8-MINI | | | | | | | | | | | | |
| Midi | | | | | | | | | | | | |
| FRC-3/8-MIDI | 32 | 22 | 250 | 204 | 80 | 99 | 120 | 15 | 19 | 8 | 14 | 24 |
| FRC-1/2-MIDI | | | | | | | | | | | | |
| FRC-3/4-MIDI | | | | | | | | | | | | |
| Maxi | | | | | | | | | | | | |
| FRC-3/4-MAXI | 32 | 22 | 252 | 228 | 90 | 82 | 150 | 15 | 19 | 8 | 14 | 24 |
| FRC-1-MAXI | 40 | | | | | | | | | | | |

FE Series

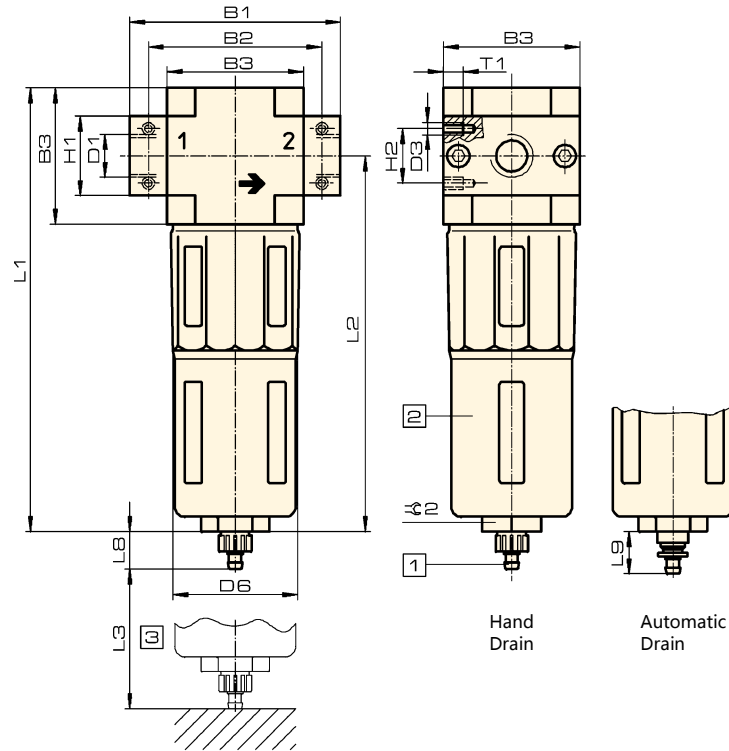
Air Filter Combination (Two Combination)



We make the difference

- FRL
- JC
- FE
- GC
- ZYR10
- MAR300LK
- AC, BC
- AFC, BFC
- AF, BF
- AR, BR
- AFR, BFR
- AL, BL
- JAC
- JAF
- JAR
- JAW
- JAL
- PTH
- JAD

Overall Dimension

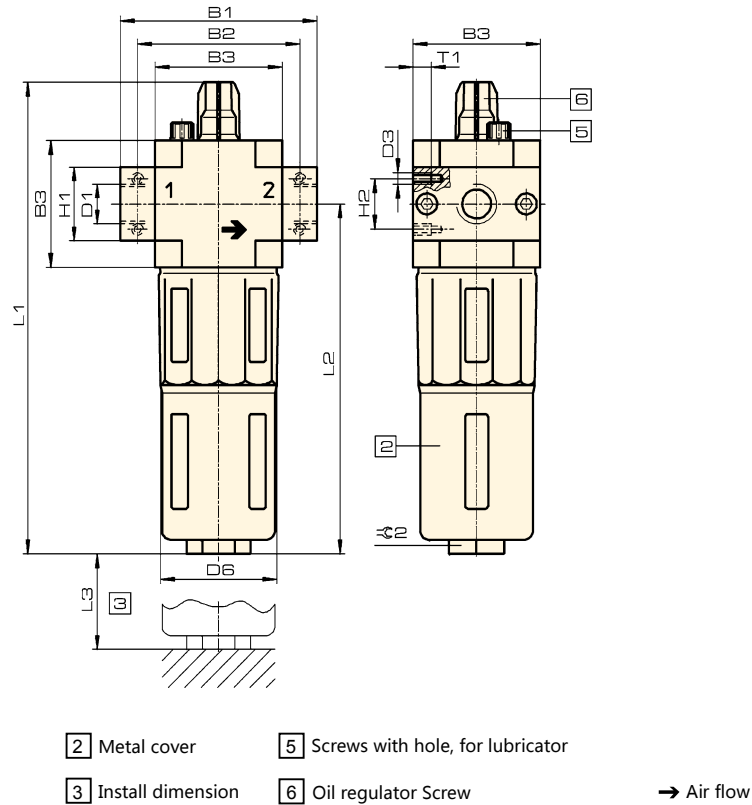


- [1] Barb connector for plastic tube PCN-4
- [2] Metal cover
- [3] Install dimension
- Air flow

Dimension

| Model | B1 | B2 | B3 | D1 | D3 | ΦD6 | H1 | H2 | L1 | L2 | L3 | L8 | L9 | T1 | T2 | ↻2 |
|-------------|-----|----|----|------|----|-----|----|----|-----|-----|----|----|----|----|----|----|
| Mini | | | | | | | | | | | | | | | | |
| LF-1/8-MINI | 64 | 52 | 40 | G1/8 | M4 | 38 | 20 | 11 | 144 | 124 | 60 | 15 | 19 | 7 | - | 22 |
| LF-1/4-MINI | | | | G1/4 | | | | | | | | | | | | |
| LF-3/8-MINI | | | | G3/8 | | | | | | | | | | | | |
| Midi | | | | | | | | | | | | | | | | |
| LF-3/8-MIDI | 85 | 70 | 55 | G3/8 | M5 | 52 | 32 | 22 | 179 | 151 | 80 | 15 | 19 | 8 | - | 24 |
| LF-1/2-MIDI | | | | G1/2 | | | | | | | | | | | | |
| LF-3/4-MIDI | | | | G3/4 | | | | | | | | | | | | |
| Maxi | | | | | | | | | | | | | | | | |
| LF-3/4-MAXI | 96 | 80 | 66 | G3/4 | M5 | 65 | 32 | 22 | 203 | 170 | 90 | 15 | 19 | 8 | - | 24 |
| LF-1-MAXI | 116 | 91 | | G1 | | | 40 | | | | | | | | | |

Overall Dimension



FRL
JC
FE
GC
ZYR10
MAR300LK
AC, BC
AFC, BFC
AF, BF
AR, BR
AFR, BFR
AL, BL
JAC
JAF
JAR
JAW
JAL
PTH
JAD

Dimension

| Model | B1 | B2 | B3 | B4 | B5 | D1 | ΦD2 | D3 | ΦD6 | H1 | H2 | L1 | L2 | L3 | T1 | T2 | ≈C2 |
|--------------|-----|----|----|----|----|------|-----|----|-----|----|----|-----|-----|-----|----|----|-----|
| Mini | | | | | | | | | | | | | | | | | |
| LOE-1/8-MINI | 64 | 52 | 40 | 30 | - | G1/8 | - | M4 | 38 | 20 | 11 | 169 | 124 | 100 | 7 | - | 22 |
| LOE-1/4-MINI | | | | | | G1/4 | | | | | | | | | | | |
| LOE-3/8-MINI | 70 | | | | | G3/8 | | | | | | | | | | | |
| Midi | | | | | | | | | | | | | | | | | |
| LOE-3/8-MIDI | 85 | 70 | 55 | 43 | - | G3/8 | - | M5 | 52 | 32 | 22 | 204 | 151 | 120 | 8 | - | 24 |
| LOE-1/2-MIDI | | | | | | G1/2 | | | | | | | | | | | |
| LOE-3/4-MIDI | | | | | | G3/4 | | | | | | | | | | | |
| Maxi | | | | | | | | | | | | | | | | | |
| LOE-3/4-MAXI | 96 | 80 | 66 | 46 | - | G3/4 | - | M5 | 65 | 32 | 22 | 228 | 170 | 150 | 8 | - | 24 |
| LOE-1-MAXI | 116 | 91 | | | | G1 | | | | 40 | | | | | | | |