

Fluid control valve(2/2way)

2W Series (Internally piloted and normally closed)



2W

Symbol



Product feature

1. Indirect acting (Internal pilot) and normally closed type 2/2 way solenoid valve. Its can change direction quickly and has large flow.
2. It is compact, small and light weight. It is easy to install and dismantle;
3. The valve body is made of brass. The coil has a Heat resistance classification of Class B. The standard seal material is FPM-F. Please contact us if other material are required.
4. The protection class of the coil is IP65 and there is a choice for grommet or terminal electrical entry.

Valve's specification

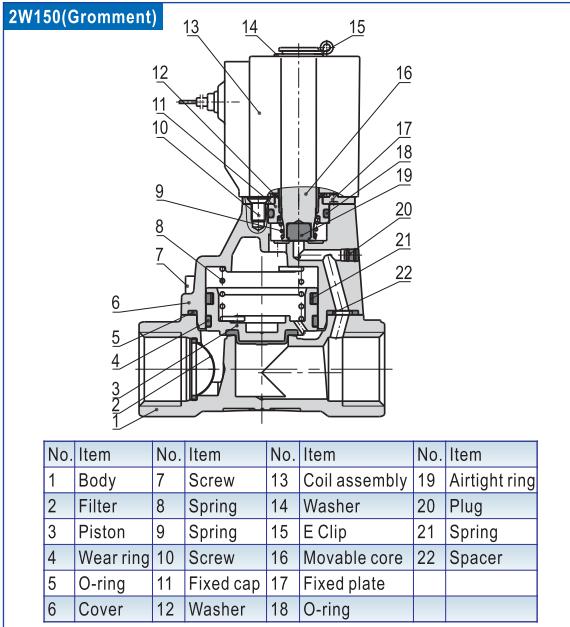
Acting	Internally piloted			
Initial stats	Normally closed			
Adaptable fluid ①	Air, Water, Oil			
Viscosity limit	Under 20CST			
Ambient and fluid temperature(°C)	Water	Air	Oil	Ambient
	Max. 80	90	80	70
	Min. 1	-20 ②	-10 ③	-20

① Note: Please refer to P121 for detail of other's fluid.

② Note: Dew point: -20(°C) or less. ③ Note: 50CST or less.

Inner structure

2W150(Grommet)



Specification

Type\Item	Port size ①	Orifice size (Φmm)	Cv	Valid area or section(mm ²)	Weight ② (g)	Max. operating pressure differentia		Proof pressure	
						MPa	psi	MPa	psi
2W150-15	1/2"	15.0	5.50	100.0	720	Max:1.0 Min:0.05	Max:150 Min:10	1.5	220
2W200-20	3/4"	20.0	9.50	170.0	950				
2W250-25	1"	25.0	12.50	220.0	1200				

① PT thread, NPT thread and G thread are available.

② The weight in the table is the terminal valve's weight, grommet valve's weight is 10g less than terminal's.

Specification of coil

Valve type	Coil type	Power type	Frequency (Hz)	Voltage range	Electrical entry	Power Consumption (VA/W)	Insulation	Temp. rise(°C)
2W150	CDA116	AC	50	± 15%	Terminal (CDA)	10.0VA	Class B	35
2W200			60		Grommet (CLA)	8.0VA		30
2W250	DC	-	± 10%		6.5W	30		

Ordering code

2W 150 15 A □ □

- Model**: 2W: 2/2 way internally piloted and normally closed
- Orifice size**:
 - 150: Φ 15mm
 - 200: Φ 20mm
 - 250: Φ 25mm
- Thread type**:
 - Blank: PT
 - T: NPT
 - G: G
- Electrical entry**:
 - Blank: Terminal
 - I: Grommet
- Port size**:

Orifice series	Port size
150: Φ 15mm	15: 1/2"
200: Φ 20mm	20: 3/4"
250: Φ 25mm	25: 1"
- Voltage**:
 - A: AC220V
 - B: DC24V
 - C: AC110V
 - E: AC24V
 - F: DC12V

Ordering code of accessories

Ordering code of accessories is the same as 2S series valve's, Please refer to P98 for details of ordering code.

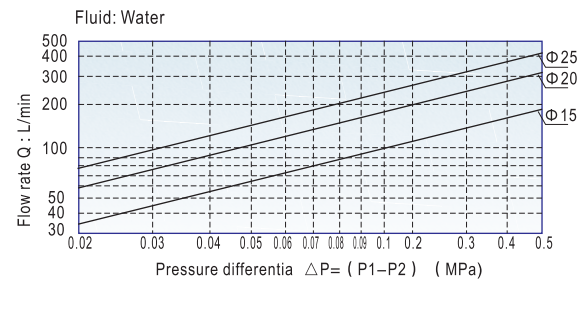
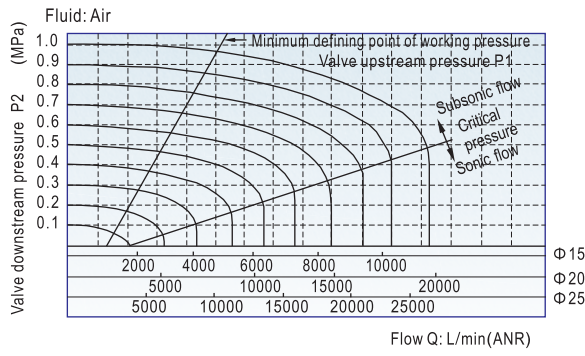


Fluid control valve(2/2way)

2W Series (Internally piloted and normally closed)

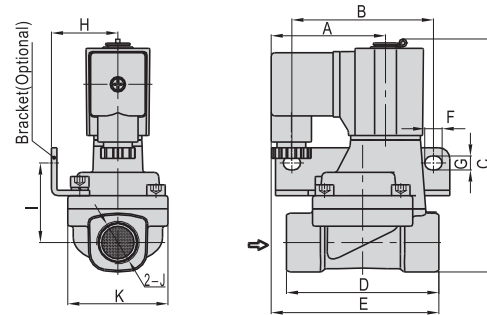


Flow chart



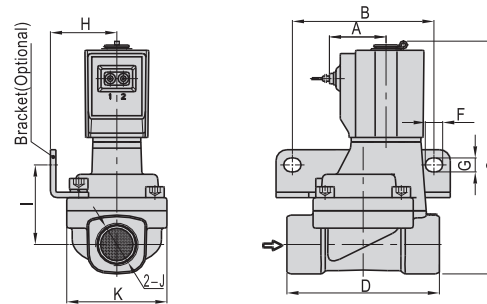
Dimensions

Terminal



Type\Item	A	B	C	D	E	F	G	H	I	J	K
2W150-15	52.5	65	107	70	77	8	6.4	30.5	36.5	1/2"	46
2W200-20	52.5	75	115.4	82	78.5	8	6.4	34	40	3/4"	53
2W250-25	52.5	80	124	92	81	8	6.4	36	44.5	1"	59

Grommet



Type\Item	A	B	C	D	F	G	H	I	J	K
2W150-15	26	65	107	70	8	6.4	30.5	36.5	1/2"	46
2W200-20	26	75	115.4	82	8	6.4	34	40	3/4"	53
2W250-25	26	80	124	92	8	6.4	36	44.5	1"	59