

Fluid control valve(2/2way)

2W Series (Direct-acting and normally closed)



2W

Symbol



Product feature

1. Direct acting and normally closed type 2/2 way solenoid valve. Its high sensibility allows it to change direction quickly;
2. It has wide pressure range, including extra high pressure (X), high pressure (H), standard, large volume(L) and extra large volume (T) to choose from;
3. It is compact, small size and light weight. It is easy to install and dismantle.
4. The valve body is made of brass. Its coil has a Heat resistance classification of Class B. The standard seal material is FPM-F. Please contact us if other material are required.
5. The protection class of the coil is IP65 and there is a choice for grommet or terminal electrical entry.

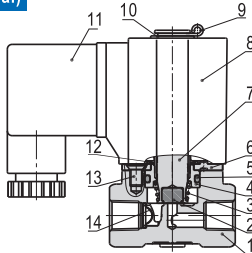
Valve's specification

Acting	Direct acting			
Initial stats	Normally closed			
Adaptable fluid ①	Air, Water, Oil			
Viscosity limit	Under 20CST			
Ambient and fluid temperature(°C)	Water	Air	Oil	Ambient
	Max. 80	90	80	70
	Min. 1	-20 ②	-10 ③	-20

- ① Note: Please refer to P121 for detail of other's fluid.
 ② Note: Dew point: -20(°C) or less. ③ Note: 50CST or less.

Inner structure

2W030(Terminal)



No.	Item	No.	Item	No.	Item
1	Body	6	Fixed plate	11	Connector
2	Airtight ring	7	Movable core	12	Washer
3	Spring	8	Coil assembly	13	Screw
4	Fixed cap	9	E Clip	14	Filter
5	O-ring	10	Gasket		

- ① Extra large volume type has no filter element.

Specification

Type\Item	Port size①	Orifice size (Φ mm)	Cv	Valid area or section(mm ²)	Weight ② (g)	Max. operating pressure differentia		Proof pressure	
						MPa	psi	MPa	psi
2WX030	-06 1/8"	1.5	0.10	1.8	305	3.0	450	5.0	750
	-08 1/4"				295				
2WH030	-06 1/8"	2.0	0.18	3.0	305	2.0	300		
	-08 1/4"				295				
2W030	-06 1/8"	3.0	0.33	6.0	305	1.0	150		
	-08 1/4"				295				
2WL030	-06 1/8"	4.0	0.55	10.0	305	0.5	75		
	-08 1/4"				295				
2WT030	-06 1/8"	6.0	1.10	12.0	305	0.1	15		
	-08 1/4"				295				
2WX050	-10 3/8"	3.0	0.34	6.1	620	3.0	450		
	-15 1/2"				600				
2WH050	-10 3/8"	4.0	0.55	10.0	620	2.0	300		
	-15 1/2"				600				
2W050	-10 3/8"	5.0	0.83	15.0	620	1.0	150		
	-15 1/2"				600				
2WL050	-10 3/8"	7.0	1.40	25.0	620	0.5	75		
	-15 1/2"				600				
2WT050	-10 3/8"	10.0	2.20	40.0	620	0.1	15		
	-15 1/2"				600				

- ① PT thread, NPT thread and G thread are available.
 ② The weight in the table is the terminal valve's weight, 2W030 series grommet valve's weight is 10g less than terminal's. 2W050series grommet valve's weight is 20g less than terminal's.

Specification of coil

Valve type	Coil type	Power type	Frequency (Hz)	Voltage range	Electrical entry	Power Consumption (VA/W)	Insulation	Temp. rise(°C)
2W□030	CDA116 CLA116	AC	50	± 15%	Terminal (CDA) Grommet (CLA)	10.0VA	Class B	35
			60			8.0VA		30
		DC	-	± 10%		6.5W		30
			50	± 15%		25.0VA		60
2W□050	CDA170 CLA170	AC	60		± 15%	22.0VA	Class B	55
			-	± 10%		10.5W		40

Ordering code

2W L 030 08 A □ □

- Model**: 2W: 2/2 way direct-acting and normally closed
- Pressure condition**: X: Extra high pressure, H: High pressure, Blank: Standard, L: Large volume, T: Extra large volume
- Size series**: 030: 030 Series, 050: 050 Series
- Port size**: Size series | Port size
030 Series | 06: 1/8", 08: 1/4"
050 Series | 10: 3/8", 15: 1/2"
- Thread type**: Blank: PT, T: NPT, G: G
- Electrical entry**: Blank: Terminal, I: Grommet
- Voltage**: A: AC220V, B: DC24V, C: AC110V, E: AC24V, F: DC12V

Ordering code of accessories

Ordering code of accessories is the same as 2S series valve's, Please refer to P96 for details of ordering code.



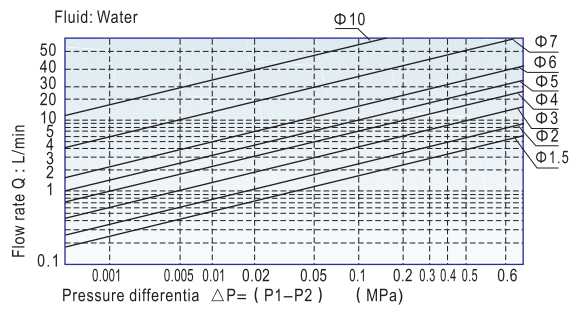
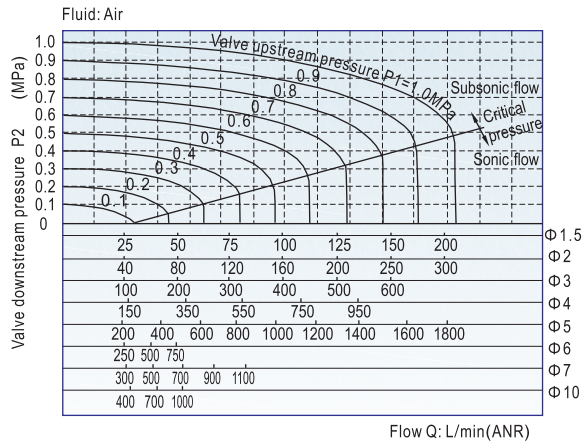
Fluid control valve(2/2way)

2W Series (Direct-acting and normally closed)



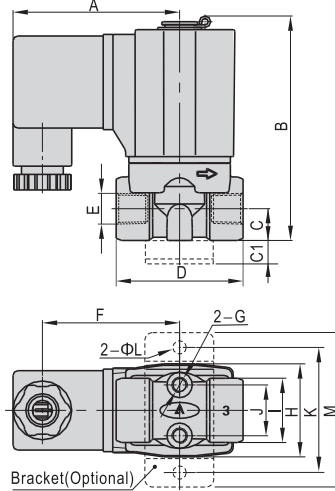
2W

Flow chart

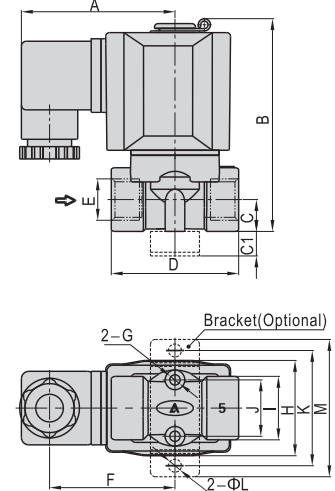


Dimensions

2W□030(Terminal)

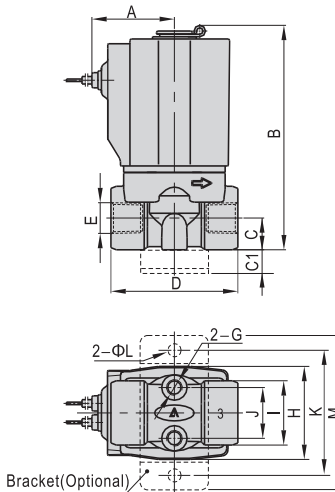


2W□050(Terminal)

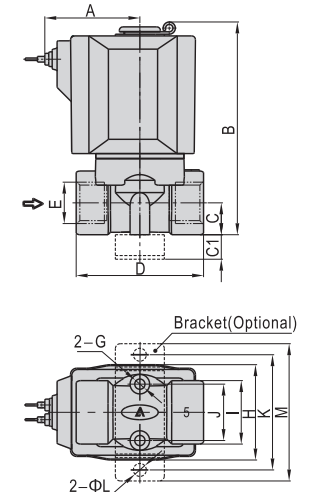


Type\Item	A	B	C	C1	D	E	F	G	H	I	J	K	L	M
2W□030-06	52.5	70.7	10	10	40	1/8"	43.3	M5	29.3	20.2	16	40	5.3	49
2W□030-08	52.5	70.7	10	10	40	1/4"	43.3	M5	29.3	20.2	16	40	5.3	49
2W□050-10	62.7	87	13	10	52	3/8"	51.2	M5	39	26	23	48	5.3	56
2W□050-15	62.7	87	13	10	52	1/2"	51.2	M5	39	26	23	48	5.3	56

2W□030(Grommet)



2W□050(Grommet)



Type\Item	A	B	C	C1	D	E	G	H	I	J	K	L	M
2W□030-06	26	70.7	10	10	40	1/8"	M5	29.3	20.2	16	40	5.3	49
2W□030-08	26	70.7	10	10	40	1/4"	M5	29.3	20.2	16	40	5.3	49
2W□050-10	39	87	13	10	52	3/8"	M5	39	26	23	48	5.3	56
2W□050-15	39	87	13	10	52	1/2"	M5	39	26	23	48	5.3	56