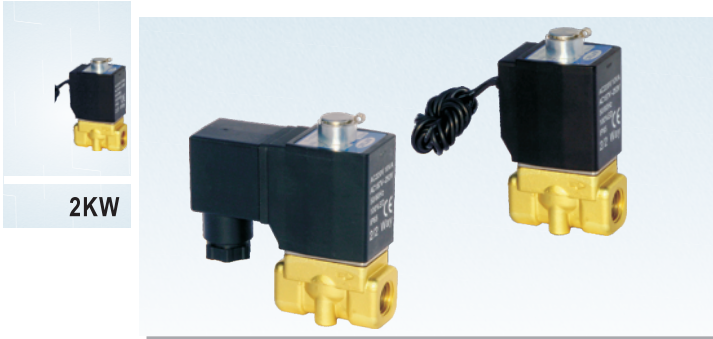


# Fluid control valve(2/2 way)



## 2KW Series (Direct-acting and normally opened)



2KW

### Symbol



### Product feature

1. Direct acting and normally opened type 2/2 way solenoid valve. Its high sensibility allows it to change direction quickly;
2. It has wide pressure range, including extra high pressure (X), high pressure (H), standard and large volume(L) to choose from;
3. It is compact, small size and light weight. It is easy to install and dismantle.
4. The valve body is made of brass. Its coil has a Heat resistance classification of Class B. The standard seal material is FPM-F. Please contact us if other material are required.
5. The protection class of the coil is IP65 and there is a choice for grommet or terminal electrical entry.

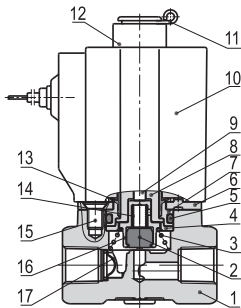
### Valve's specification

Acting	Direct acting			
Initial stats	Normally opened			
Adaptable fluid ①	Air, Water, Oil			
Viscosity limit	Under 20CST			
Ambient and fluid temperature(°C)	Water	Air	Oil	Ambient
	Max. 80	90	80	70
	Min. 1	-20 ②	-10 ③	-20

- ① Note: Please refer to P121 for detail of other's fluid.  
 ② Note: Dew point: -20(°C) or less. ③ Note: 50CST or less.

### Inner structure

2KW030(Grommet)



No.	Item	No.	Item	No.	Item
1	Body	7	Fixed cap	13	Washer
2	Airtight ring	8	Electromagnet	14	Spring
3	Spring	9	Man drill	15	Screw
4	Bead flange	10	Coil assembly	16	Airtight bush
5	O-ring	11	E Clip	17	Filter
6	Fixed plate	12	Position ring		

### Specification

Type\Item	Port size ①	Orifice size (Φmm)	Cv	Valid area or section(mm²)	Weight (g)	Max. operating pressure differential	Proof pressure
						MPa	psi
2KWX030	-06 1/8"	1.5	0.10	1.8	315	2.0	300
	-08 1/4"				305		
2KWH030	-06 1/8"	2.0	0.18	3.0	315	1.5	220
	-08 1/4"				305		
2KW030	-06 1/8"	3.0	0.33	6.0	315	0.7	100
	-08 1/4"				305		
2KWL030	-06 1/8"	4.0	0.55	10.0	315	0.4	60
	-08 1/4"				305		
2KWX050	-10 3/8"	3.0	0.34	6.1	635	2.0	300
	-15 1/2"				615		
2KWH050	-10 3/8"	4.0	0.55	10.0	635	1.5	220
	-15 1/2"				615		
2KW050	-10 3/8"	5.0	0.83	15.0	635	0.7	100
	-15 1/2"				615		
2KWL050	-10 3/8"	7.0	1.40	25.0	635	0.4	60
	-15 1/2"				615		

- ① PT thread, NPT thread and G thread are available.  
 ② The weight in the table is the terminal valve's weight, 2KW030 series grommet valve's weight is 10g less than terminal's. 2KW050series grommet valve's weight is 20g less than terminal's.

### Specification of coil

Valve type	Coil type	Power type	Frequency (Hz)	Voltage range	Electrical entry	Power Consumption (VA/W)	Insulation	Temp. rise(°C)
2KW□030	CDA116 CLA116	AC	50	± 15%	Terminal (CDA)	15.0VA	Class B	50
						11.0VA		40
		DC	-	± 10%		6.5W		30
2KW□050	CDA170 CLA170	AC	50	± 15%	Grommet (CLA)	35.0VA	Class B	65
						30.0VA		60
		DC	-	± 10%		10.5W		40

### Ordering code

**2KW H 030 08 A □ □**

- Model**: 2KW: 2/2 way direct-acting and normally opened
- Pressure condition**: X: Extra high pressure, H: High pressure, Blank: Standard, L: Large volume
- Size series**: 030: 030 Series, 050: 050 Series
- Port size**: Size series | Port size  
030 Series | 06: 1/8", 08: 1/4"  
050 Series | 10: 3/8", 15: 1/2"
- Thread type**: Blank: PT, T: NPT, G: G
- Electrical entry**: Blank: Terminal, I: Grommet
- Voltage**: A: AC220V, B: DC24V, C: AC110V, E: AC24V, F: DC12V

### Ordering code of accessories

Ordering code of accessories is the same as 2S series valve's, Please refer to P96 for details of ordering code.



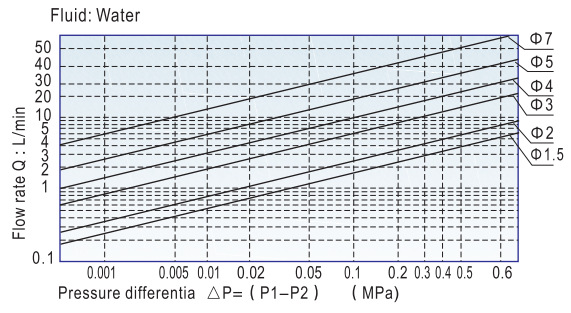
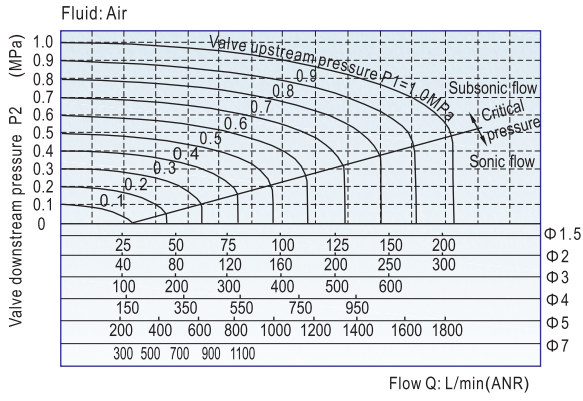
# Fluid control valve(2/2 way)

## 2KW Series (Direct-acting and normally opened)



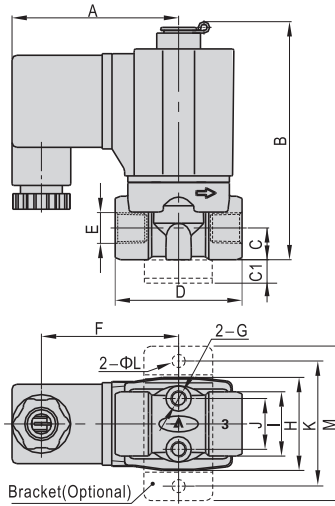
2KW

### Flow chart

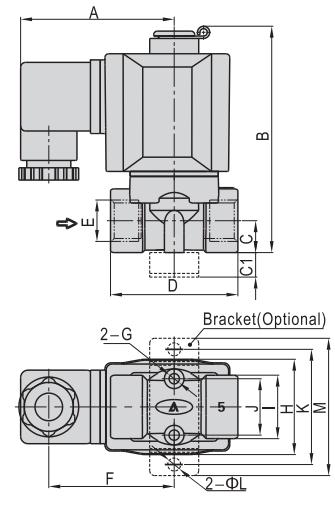


### Dimensions

#### 2KW□030(Terminal)

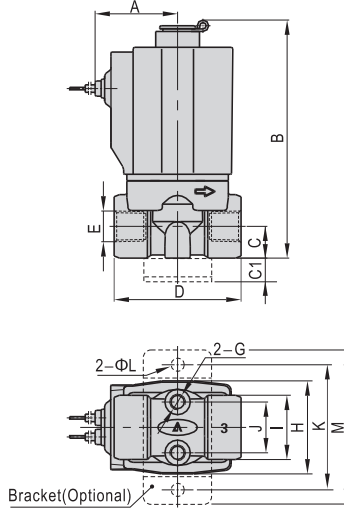


#### 2KW□050(Terminal)

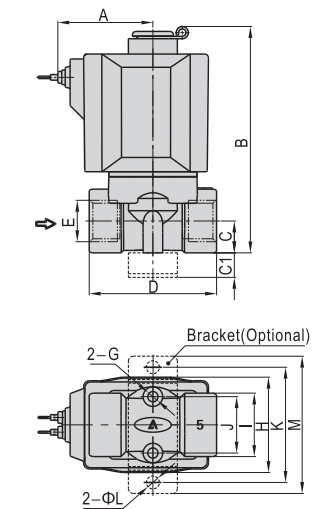


Type\Item	A	B	C	C1	D	E	F	G	H	I	J	K	L	M
2KW□030-06	52.5	76	10	10	40	1/8"	43.3	M5	29.3	20.2	16	40	5.3	49
2KW□030-08	52.5	76	10	10	40	1/4"	43.3	M5	29.3	20.2	16	40	5.3	49
2KW□050-10	62.7	92	13	10	52	3/8"	51.2	M5	39	26	23	48	5.3	56
2KW□050-15	62.7	92	13	10	52	1/2"	51.2	M5	39	26	23	48	5.3	56

#### 2KW□030(Grommet)



#### 2KW□050(Grommet)



Type\Item	A	B	C	C1	D	E	G	H	I	J	K	L	M
2KW□030-06	26	76	10	10	40	1/8"	M5	29.3	20.2	16	40	5.3	49
2KW□030-08	26	76	10	10	40	1/4"	M5	29.3	20.2	16	40	5.3	49
2KW□050-10	39	92	13	10	52	3/8"	M5	39	26	23	48	5.3	56
2KW□050-15	39	92	13	10	52	1/2"	M5	39	26	23	48	5.3	56