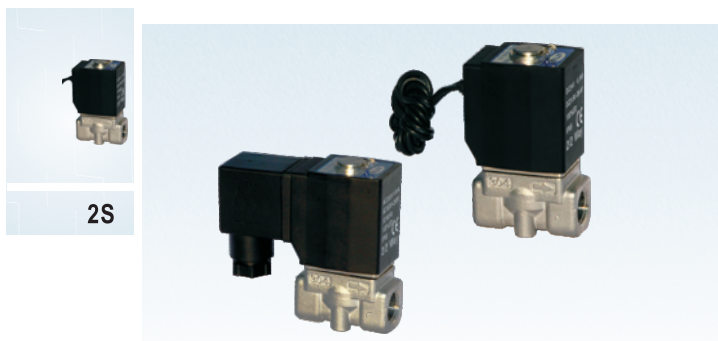


Fluid control valve(2/2way)

2S Series (Direct-acting and normally closed)



2S

Symbol



Product feature

1. Direct acting and normally closed type 2/2 way solenoid valve. Its high sensibility allows it to change direction quickly;
2. It has wide pressure range, including extra high pressure (X), high pressure (H), standard, large volume(L) and extra large volume (T) to choose from;
3. It is compact, small size and light weight. It is easy to install and dismantle.
4. The valve body is made of SUS304. Its coil has a Heat resistance classification of Class B. The standard seal material is FPM-F. Please contact us if other material are required.
5. The protection class of the coil is IP65 and there is a choice for grommet or terminal electrical entry.

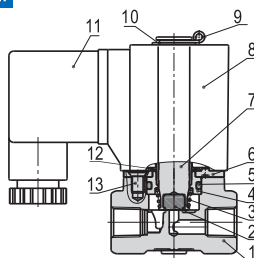
Valve's specification

Acting	Direct acting				
Initial state	Normally closed				
Adaptable fluid ①	Air, Water, Oil				
Viscosity limit	Under 20CST				
Ambient and fluid temperature(°C)		Water	Air	Oil	Ambient
	Max.	80	90	80	70
	Min.	1	-20 ②	-10 ③	-20

- ① Note: Please refer to P121 for detail of other's fluid.
 ② Note: Dew point: -20(°C) or less. ③ Note: 50CST or less.

Inner structure

2S030 Terminal



No.	Item	No.	Item	No.	Item
1	Body	6	Wear ring	11	Connector
2	Airtight ring	7	Movable core	12	Washer
3	Spring	8	Coil	13	Screw
4	Fixed cap	9	E Clip		
5	O-ring	10	Gasket		

Specification

Type\Item	Port size ①	Orifice size (Φ mm)	Cv	Valid area or section(mm²)	Weight ②(g)	Max. operating pressure differential		Proof pressure		
						MPa	psi	MPa	psi	
2SX030	-06	1/8"	1.5	0.10	1.8	300	3.0	450	5.0	750
	-08	1/4"				295				
2SH030	-06	1/8"	2.0	0.18	3.0	300	2.0	300		
	-08	1/4"				290				
2S030	-06	1/8"	3.0	0.33	6.0	300	1.0	150		
	-08	1/4"				290				
2SL030	-06	1/8"	4.0	0.55	10.0	300	0.5	75		
	-08	1/4"				290				
2ST030	-06	1/8"	6.0	1.10	12.0	300	0.1	15		
	-08	1/4"				290				
2SX050	-10	3/8"	3.0	0.34	6.1	600	3.0	450		
	-15	1/2"				590				
2SH050	-10	3/8"	4.0	0.55	10.0	600	2.0	300		
	-15	1/2"				590				
2S050	-10	3/8"	5.0	0.83	15.0	600	1.0	150		
	-15	1/2"				590				
2SL050	-10	3/8"	7.0	1.40	25.0	600	0.5	75		
	-15	1/2"				590				
2ST050	-10	3/8"	10.0	2.20	40.0	600	0.1	15		
	-15	1/2"				590				

- ① PT thread, NPT thread and G thread are available.
 ② The weight in the table is the terminal valve's weight, 2S030 series grommet valve's weight is 10g less than terminal's. 2S050 series grommet valve's weight is 20g less than terminal's.

Specification of coil

Valve type	Coil type	Power type	Frequency (Hz)	Voltage range	Electrical entry	Power Consumption (VA/W)	Insulation	Temp. rise(°C)
2S□030	CDA116 CLA116	AC	50	± 15%	Terminal (CDA)	10.0VA	Class B	35
			60			8.0VA		30
	DC		-	± 10%		6.5W		30
	AC		50	± 15%		25.0VA		60
2S□050	CDA170 CLA170	AC	50	± 15%	Grommet (CLA)	22.0VA	Class B	55
			60			10.5W		40
	DC		-	± 10%		10.5W		40
	AC		60	± 15%		22.0VA		55

Ordering code

2S L 030 08 A □ □

- Model**: 2S: 2/2 way direct-acting and normally closed
- Pressure condition**: X: Extra high pressure, H: High pressure, Blank: Standard, L: Large volume, T: Extra large volume
- Size series**: 030: 030 Series, 050: 050 Series
- Port size**: 030 Series: 06: 1/8", 08: 1/4"; 050 Series: 10: 3/8", 15: 1/2"
- Thread type**: Blank: PT, T: NPT, G: G
- Electrical entry**: Blank: Terminal, I: Grommet
- Voltage**: A: AC220V, B: DC24V, C: AC110V, E: AC24V, F: DC12V

Ordering code of accessories

F-2S030 LB

- Accessories code**: F: Mounting accessories
- Valve type**: 2S030: 030 Series body, 2S050: 050 Series body
- Accessories type**: LB: LB type



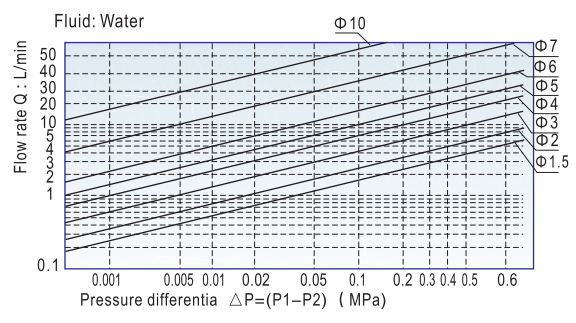
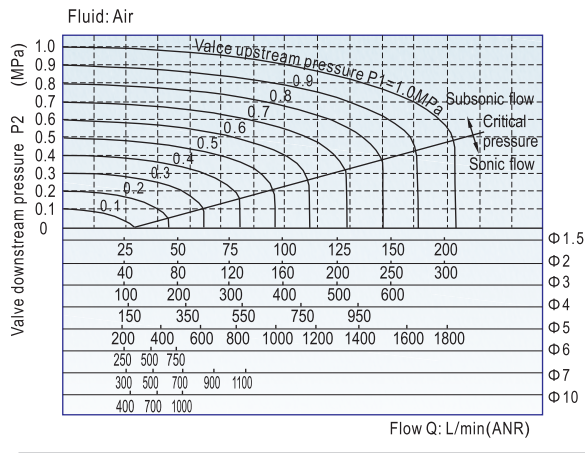
Fluid control valve(2/2way)

2S Series (Direct-acting and normally closed)



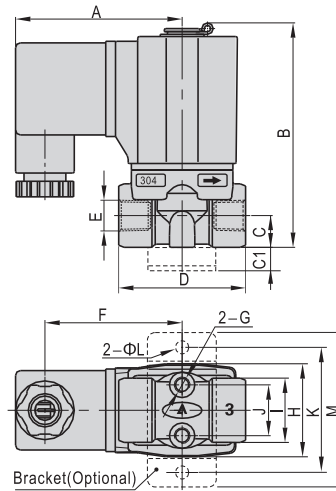
2S

Flow Chart

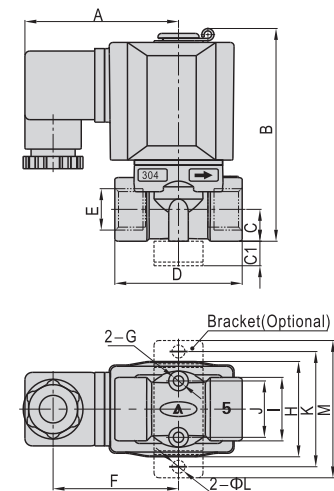


Dimensions

2S□030(Terminal)

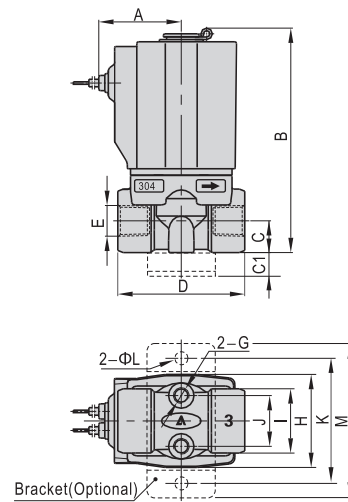


2S□050(Terminal)

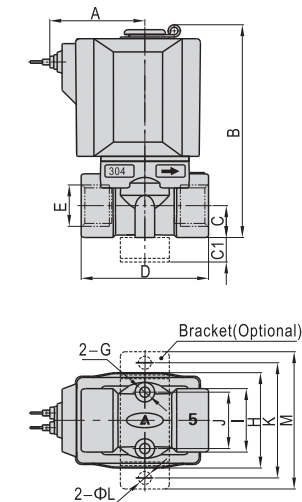


Type\Item	A	B	C	C1	D	E	F	G	H	I	J	K	L	M
2S□030-06	52.5	70.7	10	10	40	1/8"	43.3	M5	29.3	20.2	16	40	5.3	49
2S□030-08	52.5	70.7	10	10	40	1/4"	43.3	M5	29.3	20.2	16	40	5.3	49
2S□050-10	62.7	87	13	10	52	3/8"	51.2	M5	39	26	23	48	5.3	56
2S□050-15	62.7	87	13	10	52	1/2"	51.2	M5	39	26	23	48	5.3	56

2S□030(Grommet)



2S□050(Grommet)



Type\Item	A	B	C	C1	D	E	G	H	I	J	K	L	M
2S□030-06	26	70.7	10	10	40	1/8"	M5	29.3	20.2	16	40	5.3	49
2S□030-08	26	70.7	10	10	40	1/4"	M5	29.3	20.2	16	40	5.3	49
2S□050-10	39	87	13	10	52	3/8"	M5	39	26	23	48	5.3	56
2S□050-15	39	87	13	10	52	1/2"	M5	39	26	23	48	5.3	56