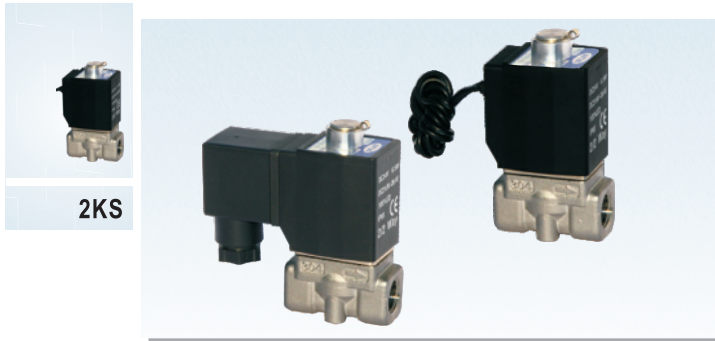


Fluid control valve(2/2way)

2KS Series (Direct-acting and normally opened)



2KS

Symbol



Product feature

1. Direct acting and normally opened type 2/2 way solenoid valve. Its high sensibility allows it to change direction quickly;
2. It has wide pressure range, including extra high pressure (X), high pressure (H), standard and large volume(L) to choose from;
3. It is compact, small size and light weight. It is easy to install and dismantle.
4. The valve body is made of SUS304 . Its coil has a Heat resistance classification of Class B. The standard seal material is FPM-F. Please contact us if other material are required.
5. The protection class of the coil is IP65 and there is a choice for grommet or terminal electrical entry .

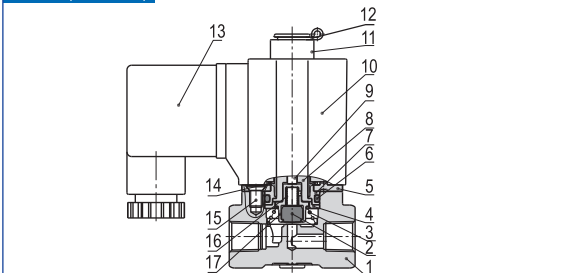
Valve's specification

Acting	Direct acting				
Initial stats	Normally closed				
Adaptable fluid ①	Air, Water, Oil				
Viscosity limit	Under 20CST				
Ambient and fluid temperature(°C)	Max.	Water 80	Air 90	Oil 80	Ambient 70
	Min.	1	-20 ②	-10 ③	-20

① Note: Please refer to P121 for detail of other's fluid.
 ② Note: Dew point: -20(°C) or less. ③ Note: 50CST or less.

Inner structure

2KS030(Terminal)



No.	Item	No.	Item	No.	Item
1	Body	7	Fixed cap	13	Connector
2	Airtight ring	8	Electromagnet	14	Washer
3	Spring	9	Man drill	15	Screw
4	Bead flange	10	Coil assembly	16	Spring
5	Fixed plate	11	Position ring	17	Airtight bush
6	O-ring	12	E Clip		

Specification

Type\Item	Port size①	Orifice size (Φ mm)	Cv	Valid area or section(mm ²)	Weight ②(g)	Max.operating pressure differentia		Proof pressure	
						MPa	psi	MPa	psi
2KSX030	-06	1/8"	1.5	0.10	1.8	2.0	300	3.0	450
	-08	1/4"							
2KSH030	-06	1/8"	2.0	0.18	3.0	1.5	220	3.0	450
	-08	1/4"							
2KS030	-06	1/8"	3.0	0.33	6.0	0.7	100	3.0	450
	-08	1/4"							
2KSL030	-06	1/8"	4.0	0.55	10.0	0.4	60	3.0	450
	-08	1/4"							
2KSX050	-10	3/8"	3.0	0.34	6.1	2.0	300	3.0	450
	-15	1/2"							
2KSH050	-10	3/8"	4.0	0.55	10.0	1.5	220	3.0	450
	-15	1/2"							
2KS050	-10	3/8"	5.0	0.83	15.0	0.7	100	3.0	450
	-15	1/2"							
2KSL050	-10	3/8"	7.0	1.40	25.0	0.4	60	3.0	450
	-15	1/2"							

① PT thread, NPT thread and G thread are available.
 ② The weight in the table is the terminal valve's weight, 2KS030 series grommet valve's weight is 10g less than terminal's. 2KS050series grommet valve's weight is 20g less than terminal's.

Specification of coil

Valve type	Coil type	Power type	Frequency (Hz)	Voltage range	Electrical entry	Power Consumption (VA/W)	Insulation	Temp.rise(°C)
2KS□030	CDA116 CLA116	AC	50	± 15%	(Terminal) (CDA)	15.0VA	Class B	50
			60			11.0VA		40
		DC	-	± 10%		6.5W		30
2KS□050	CDA170 CLA170	AC	50	± 15%	(Grommet) (CLA)	35.0VA	Class B	65
			60			30.0VA		60
		DC	-	± 10%		10.5W		40

Ordering code

2KS H 030 08 A □ □

- Model**: 2KS: 2/2 way direct-acting and normally opened
- Pressure condition**: X: Extra high pressure, H: High pressure, Blank: Standard, L: Large volume
- Size series**: 030: 030 Series, 050: 050 Series
- Port size**: 030 Series: 06: 1/8", 08: 1/4"; 050 Series: 10: 3/8", 15: 1/2"
- Thread type**: Blank: PT, T: NPT, G: G
- Electrical entry**: Blank: Terminal, I: Grommet
- Voltage**: A: AC220V, B: DC24V, C: AC110V, E: AC24V, F: DC12V

Ordering code of accessories

Ordering code of accessories is the same as 2S series valve's, Please refer to P96 for details of ordering code.

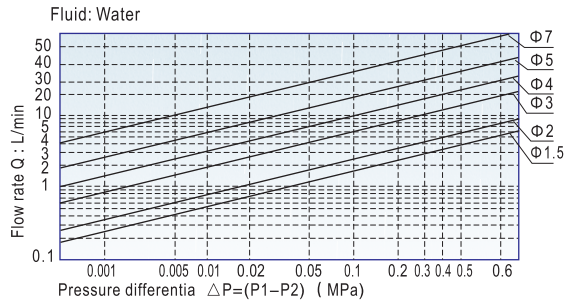
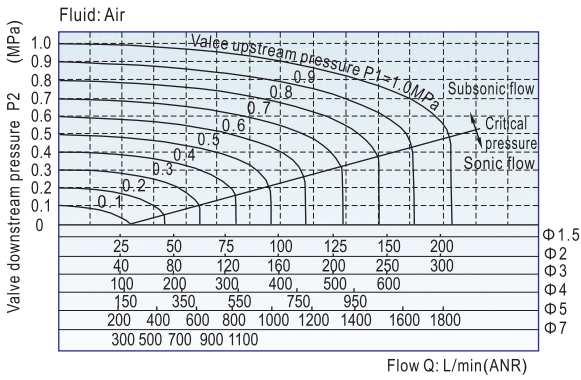


Fluid control valve(2/2way)

2KS Series (Direct-acting and normally opened)

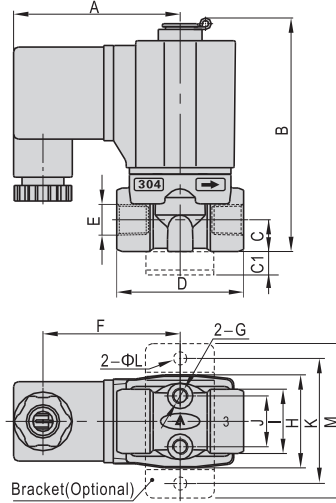


Flow Chart

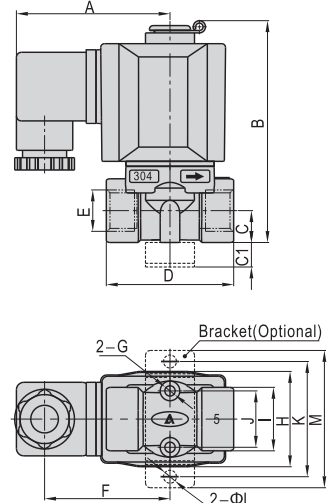


Dimensions

2KS□030(Terminal)

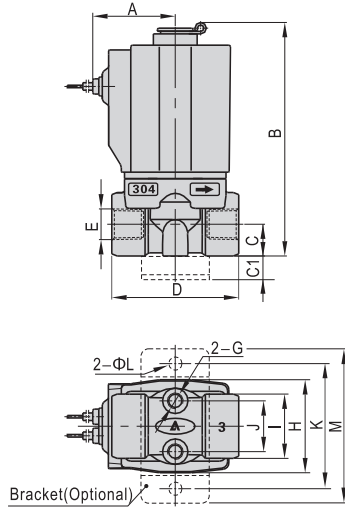


2KS□050(Terminal)

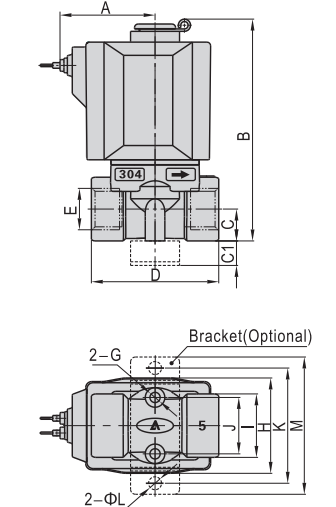


Type\Item	A	B	C	C1	D	E	F	G	H	I	J	K	L	M
2KS□030-06	52.5	76	10	10	40	1/8"	43.3	M5	29.3	20.2	16	40	5.3	49
2KS□030-08	52.5	76	10	10	40	1/4"	43.3	M5	29.3	20.2	16	40	5.3	49
2KS□050-10	62.7	92	13	10	52	3/8"	51.2	M5	39	26	23	48	5.3	56
2KS□050-15	62.7	92	13	10	52	1/2"	51.2	M5	39	26	23	48	5.3	56

2KS□030(Grommet)



2KS□050(Grommet)



Type\Item	A	B	C	C1	D	E	G	H	I	J	K	L	M
2KS□030-06	26	76	10	10	40	1/8"	M5	29.3	20.2	16	40	5.3	49
2KS□030-08	26	76	10	10	40	1/4"	M5	29.3	20.2	16	40	5.3	49
2KS□050-10	39	92	13	10	52	3/8"	M5	39	26	23	48	5.3	56
2KS□050-15	39	92	13	10	52	1/2"	M5	39	26	23	48	5.3	56



2KS

