

Fluid control valve(2/2 way)



2L Series (Internally piloted and normally closed)



Specification

Type\Item	Port size①	Orifice size (Φmm)	Cv	Valid area or section(mm ²)	Weight ②(g)	Max.operating pressure differentia	Proof pressure
						MPa	psi
2L150-15	1/2"	15.0	5.50	100.0	675	Max:1.0 Min:0.05	Max:150 Min:10
2L200-20	3/4"	20.0	9.50	170.0	875		
2L250-25	1"	25.0	12.50	220.0	1120		
2L320-32	1 1/4"	35.0	23.00	420.0	2700		
2L400-40	1 1/2"	40.0	31.00	560.0	3250		
2L500-50	2"	50.0	49.00	880.0	4300		

① PT thread, NPT thread and G thread are available.

② The weight in the table is the terminal valve's weight, 2L150~250series grommet valve's weight is 10g less than terminal's. 2L320~500series grommet valve's weight is 20g less than terminal's.

Symbol



Product feature

1. Indirect acting (Internal pilot) and normally closed type 2/2 way solenoid valve. Its high sensibility allows it to change direction quickly.
2. It is compact, small size and light weight. It is easy to install and dismantle.
3. The valve body is made of SUS304. Its coil has a Heat resistance classification of Class H. The standard seal material is PTFE (Teflon) which is suitable for a variety of working medium such as water with high temperature and vapour.
4. The protection class of the coil is IP65 and there is a choice for grommet or terminal electrical entry.

Valve's specification

Acting	Internally piloted				
Initial stats	Normally closed				
Adaptable fluid ①	Steam, High temperature Water, Oil				
Viscosity limit	Under 20CST				
Ambient and fluid temperature(°C)		Oil	Water	Steam	Ambient
	Max.	150	150	183	100
	Min.	-10②	1	-	-20

① Note: Please refer to P121 for detail of other's fluid;

② Note: 50CST or less.

Inner structure

2L150(Grommet)

No.	Item	No.	Item	No.	Item
1	Body	10	Spring	19	O-ring
2	Fixed ring	11	Screw	20	Fixed plate
3	Airtight bush	12	Spring	21	Airtight ring
4	O-ring	13	Bead flange	22	Spring
5	Wear ring	14	Coil assembly	23	Plug
6	Screw	15	Washer	24	Piston
7	Gasket	16	E Clip	25	Bushing
8	Spring	17	Movable core	26	O-ring
9	Cover	18	Fixed plate		

Specification of coil

Valve type	Coil type	Power type	Frequency (Hz)	Voltage range	Electrical entry	Power Consumption (VA/W)	Insulation	Temp. rise(°C)	
2L150 2L200 2L250	CDA116 CLA116	AC	50	± 15%	Terminal (CDA)	10.0VA	Class H	35	
			60			8.0VA		30	
	DC	-	± 10%	6.5W		30			
2L320 2L400 2L500	CDA170 CLA170	AC	50	± 15%	Grommet (CLA)	25.0VA		Class H	60
			60			22.0VA			55
	DC	-	± 10%	10.5W		40			

Ordering code

2L 150 15 A □ □

- Model**: 2L: 2/2 way internally piloted and normally closeded
- Orifice size**:
 - 150: Φ15mm
 - 200: Φ20mm
 - 250: Φ25mm
 - 320: Φ32mm
 - 400: Φ40mm
 - 500: Φ50mm
- Port size**:

Orifice series	Port size
150: Φ15mm	15: 1/2"
200: Φ20mm	20: 3/4"
250: Φ25mm	25: 1"
320: Φ32mm	32: 1 1/4"
400: Φ40mm	40: 1 1/2"
500: Φ50mm	50: 2"
- Thread type**:
 - Blank: PT
 - T: NPT
 - G: G
- Electrical entry**:
 - Blank: Terminal
 - I: Grommet
- Voltage**:
 - A: AC220V
 - B: DC24V
 - C: AC110V
 - E: AC24V
 - F: DC12V

Ordering code of accessories

Ordering code of accessories is the same as 2S series valve's, Please refer to P98 for details of ordering code.

Note: ⚠ 320/400/500 series valves do not have mounting accessories.

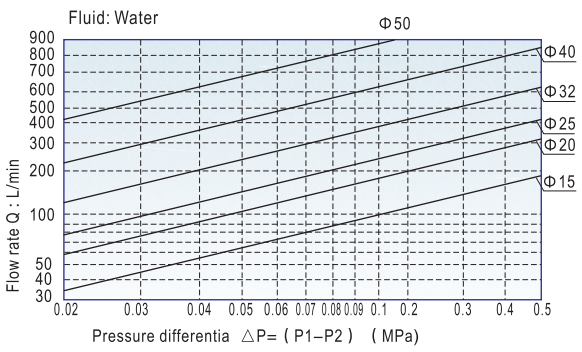
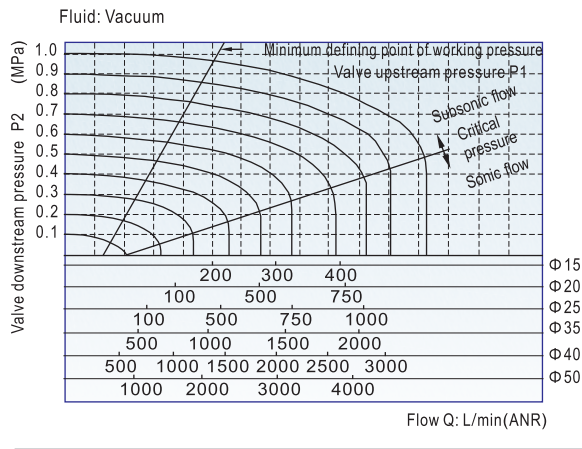


Fluid control valve(2/2 way)

2L Series (Internally piloted and normally closed)

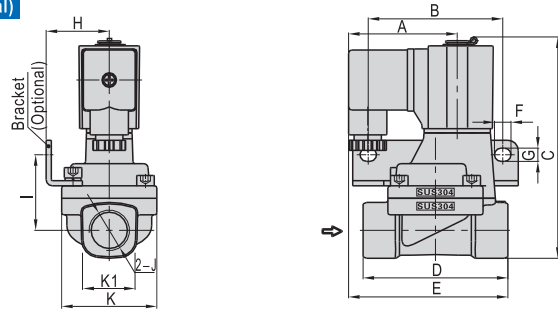


Flow chart

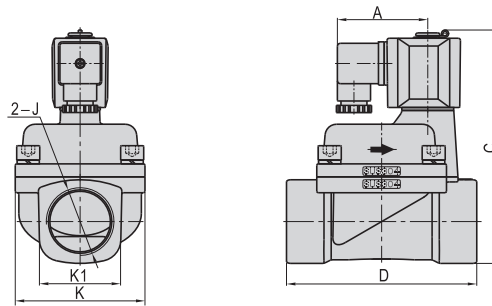


Dimensions

2L150-250(Terminal)

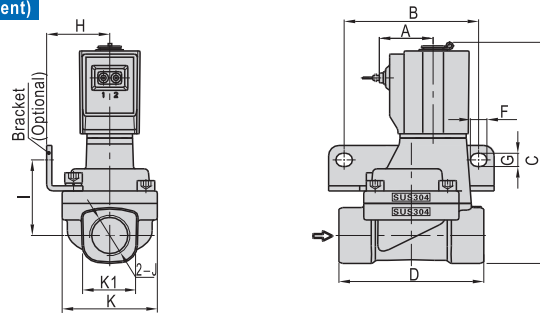


2L320-500(Terminal)

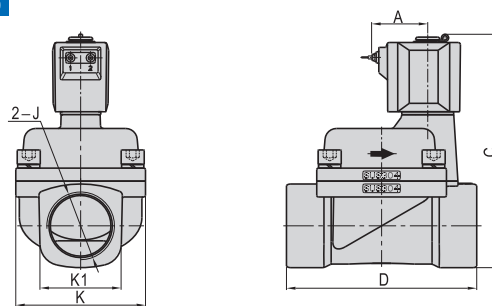


Type\Item	A	B	C	D	E	F	G	H	I	J	K	K1
2L150-15	52.5	65	107	70	77	8	6.4	30.5	36.5	1/2"	46	27.5
2L200-20	52.5	75	115.4	82	78.5	8	6.4	34	40	3/4"	53	33.5
2L250-25	52.5	80	124	92	81	8	6.4	36	44.5	1"	59	40.5
2L320-32	62.7	-	154.3	125	-	-	-	-	-	1 1/4"	80	52
2L400-40	62.7	-	161.8	132	-	-	-	-	-	1 1/2"	90	58
2L500-50	62.7	-	176.8	150	-	-	-	-	-	2"	100	70

2L150-250(Grommet)



2L320-500(Grommet)



Type\Item	A	B	C	D	F	G	H	I	J	K	K1
2L150-15	26	65	107	70	8	6.4	30.5	36.5	1/2"	46	27.5
2L200-20	26	75	115.4	82	8	6.4	34	40	3/4"	53	33.5
2L250-25	26	80	124	92	8	6.4	36	44.5	1"	59	40.5
2L320-32	38.8	-	154.3	125	-	-	-	-	1 1/4"	80	52
2L400-40	38.8	-	161.8	132	-	-	-	-	1 1/2"	90	58
2L500-50	38.8	-	176.8	150	-	-	-	-	2"	100	70