

Fluid control valve(2/2 way)

2L Series (Direct-acting and normally closed)



Specification

Type\Item	Port size ^①	Orifice size (Φ mm)	Cv	Valid area or section(mm ²)	Weight ^② (g)	Max. operating pressure differential MPa	psi	Proof pressure MPa	psi
2LH030	-06 1/8"	2.0	0.18	3.0	300	2.0	300	3.0	450
	-08 1/4"				290				
2L030	-06 1/8"	3.0	0.33	6.0	300	1.0	150	3.0	450
	-08 1/4"				290				
2LH050	-10 3/8"	4.0	0.55	10.0	600	2.0	300	3.0	450
	-15 1/2"				590				
2L050	-10 3/8"	5.0	0.83	15.0	600	1.0	150	3.0	450
	-15 1/2"				590				

① PT thread, NPT thread and G thread are available.

② The weight in the table is the terminal valve's weight, 2L030 series grogmet valve's weight is 10g less than terminal's. 2L050series grogmet valve's weight is 20g less than terminal's.

Symbol



Product feature

1. Direct acting and normally closed type 2/2 way solenoid valve. Its high sensibility allows it to change direction quickly;
2. It has wide pressure range, including standard high pressure (H) to choose from;
3. It is compact, small size and light weight. It is easy to install and dismantle.
4. The valve body is made of SUS304. Its coil has a Heat resistance classification of Class H. The standard seal material is PTFE(Teflon) which is suitable for a variety of working medium such as water with high temperature and vapour.
5. The protection class of the coil is IP65 and there is a choice for grogmet or terminal electrical entry.

Valve's specification

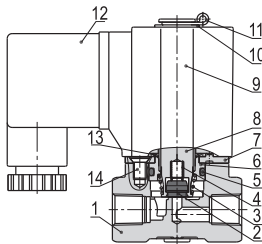
Acting	Direct acting				
Initial stats	Normally closed				
Adaptable fluid ^①	Steam, High temperature Water, Oil				
Viscosity limit	Under 20CST				
Ambient and fluid temperature(°C)		Oil	Water	Steam	Ambient
	Max.	150	150	183	100
Min.	-10 ^②	1	-	-	-20

① Note: Please refer to P125 for detail of other's fluid.

② Note: 50CST or less.

Inner structure

2L030(Terminal)



No.	Item	No.	Item	No.	Item
1	Body	6	Fixed cap	11	E Clip
2	Airtight ring	7	Fixed plate	12	Connector
3	Spring	8	Movable core	13	Bead flange
4	Spring	9	Coil assembly	14	Screw
5	O-ring	10	Washer		

Specification of coil

Valve type	Coil type	Power type	Frequency (Hz)	Voltage range	Electrical entry	Power Consumption (VA/W)	Insulation	Temp. rise(°C)
2L□030	CDA116 CLA116	AC	50	± 15%	Terminal (CDA)	10.0VA	Class H	35
			60			8.0VA		30
		DC	-	± 10%		6.5W		30
2L□050	CDA170 CLA170	AC	50	± 15%	Grogmet (CLA)	25.0VA	Class H	60
			60			22.0VA		55
		DC	-	± 10%		10.5W		40

Ordering code

2L H 030 08 A □ P

- Model**
2L: 2/2 way direct-acting and normally closed
- Pressure condition**
H: High pressure
Blank: Standard
- Size series**
030: 030 Series
050: 050 Series
- Port size**
030 Series: 06: 1/8", 08: 1/4"
050 Series: 10: 3/8", 15: 1/2"
- Thread type**
P: PT
T: NPT
G: G
- Electrical entry**
Blank: Terminal
I: Grogmet
- Voltage**
A: AC220V
B: DC24V
C: AC110V
E: AC24V
F: DC12V

Ordering code of accessories

Ordering code of accessories is the same as 2S series valve's, Please refer to P100 for details of ordering code.

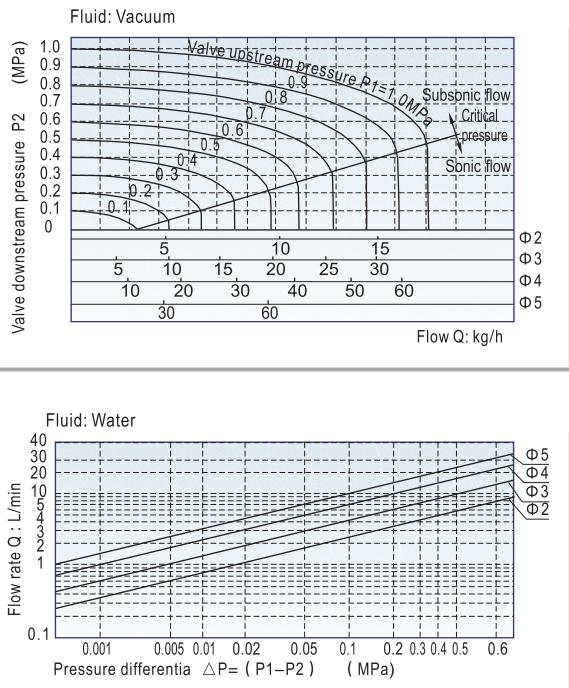


Fluid control valve(2/2 way)

2L Series (Direct-acting and normally closed)

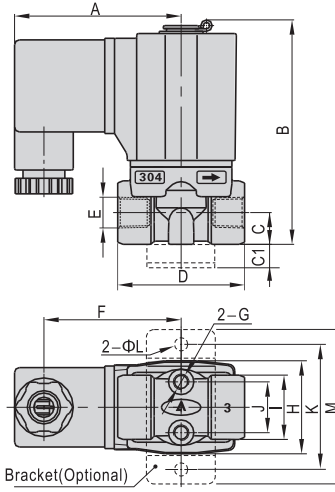


Flow chart

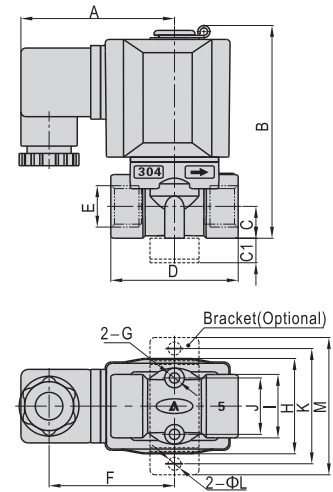


Dimensions

2L□030(Terminal)

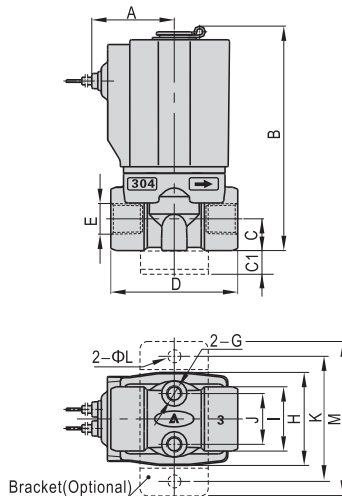


2L□050(Terminal)

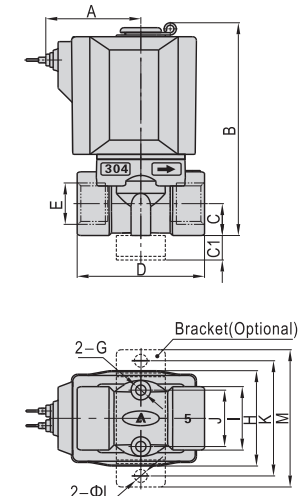


Type\Item	A	B	C	C1	D	E	F	G	H	I	J	K	L	M
2L□030-06	52.5	70.7	10	10	40	1/8"	43.3	M5	29.3	20.2	16	40	5.3	49
2L□030-08	52.5	70.7	10	10	40	1/4"	43.3	M5	29.3	20.2	16	40	5.3	49
2L□050-10	62.7	87	13	10	52	3/8"	51.2	M5	39	26	23	48	5.3	56
2L□050-15	62.7	87	13	10	52	1/2"	51.2	M5	39	26	23	48	5.3	56

2L□030(Grommet)



2L□050(Grommet)



Type\Item	A	B	C	C1	D	E	G	H	I	J	K	L	M
2L□030-06	26	70.7	10	10	40	1/8"	M5	29.3	20.2	16	40	5.3	49
2L□030-08	26	70.7	10	10	40	1/4"	M5	29.3	20.2	16	40	5.3	49
2L□050-10	39	87	13	10	52	3/8"	M5	39	26	23	48	5.3	56
2L□050-15	39	87	13	10	52	1/2"	M5	39	26	23	48	5.3	56



2L