

# Fluid control valve(2/2way)



## 2P Series



2P

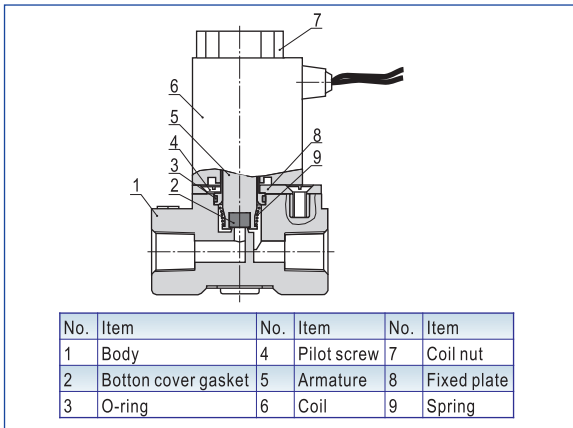
### Symbol



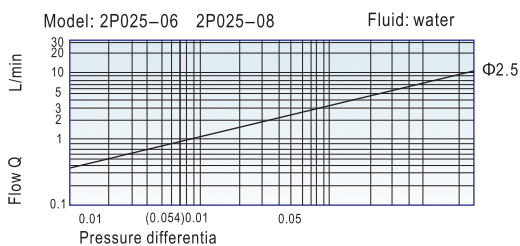
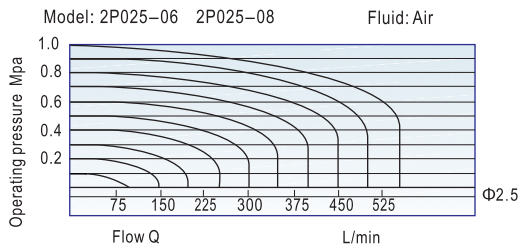
### Product feature

1. Direct acting and normally closed type 2/2 way solenoid valve. Its high sensibility allows it to change direction quickly.
2. Its compact size is small and light weight. It is easy to install and dismantle.
3. The valve body is made of Nylon 66. Its coil has a Heat resistance classification of Class B. The seals are made of Viton which is suitable for different types of fluid.
4. The protection class of the coil is IP65, and the electrical entry is grommet.

### Inner structure



### Flow chart



### Specification

Model	2P025-06	2P025-08
Fluid	Air, Water, Oil	
Acting	Direct acting	
Type	Normally closed	
Orifice size(Φ mm)	2.5	
Cv valve	0.23	
Port siz	G1/8	G1/4
Viscosity limit	Under 20CST	
Pressure range	0~0.7MPa(0~100psi)	
Proof pressure	1.05MPa(150psi)	
Material body	Nylon 66	
Seal material	VITON	
Min. activating time sec	0.05 sec and below	

### Specification of coil

Valve type	Power type	Frequency (Hz)	Voltage range	Electrical entry	Power Consumption (VA/W)	Insulation	Temp. rise(°C)
2P025	AC	50	± 15%	Terminal Grommet	7.0VA	Class B	35
		60					
	DC	-	± 10%		7.0W		45

### Ordering code

**2P 025 08 A G**

- Model**: 2P:2 port 2 position solenoid valve(plastic steel type)
- Orifice size**: 025:Φ2.5mm
- Port size**: 06:G1/8, 08:G1/4
- Thread type**: G:G
- Voltage**: A:AC220V, B:DC24V, C:AC110V, E:AC24V, F:DC12V

### Dimensions

