

## GF Series



GF

### Symbol



### Product feature

1. Unique diversion structure spins the air flowing through to effectively separate the liquid from the air and reliably filter the solid grain.
2. It has low pressure loss, high efficiency in separating water and large drain bowl capacity.
3. Filtering grade includes 5 μ m and 40 μ m (Optional).
4. Three drain types are available: manual drain, semi-auto drain and automatic drain.
5. The bracket can be selected for installation.

### Specification

| Model                  | GF200-06  | GF200-08 | GF300-08 | GF300-10 | GF300-15 | GF400-10 | GF400-15 | GF600-20 | GF600-25 |
|------------------------|---|----------|----------|----------|----------|----------|----------|----------|----------|
| Fluid                  | Air   |          |          |          |          |          |          |          |          |
| Port size              | 1/8"  | 1/4"     | 1/4"     | 3/8"     | 1/2"     | 3/8"     | 1/2"     | 3/4"     | 1"       |
| Filtering grade        | 40 μ m or 5 μ m   |          |          |          |          |          |          |          |          |
| Pressure range         | Semi-auto and automatic drain:0.15~0.9MPa(20~130psi);Manual drain:0.05~0.9MPa(7~130psi) |          |          |          |          |          |          |          |          |
| Proof pressure         | 1.5MPa(215psi)  |          |          |          |          |          |          |          |          |
| Temperature range      | -20~70°C  |          |          |          |          |          |          |          |          |
| Capacity of drain bowl | 10CC  |          | 40CC     |          |          | 80CC     |          | 230CC    |          |
| Weight                 | 135g  |          | 360g     |          |          | 680g     |          | 1440g    |          |

### Ordering code

**GF200 08 M**  **W**

#### Model

GF200: G200 Series Filter  
 GF300: G300 Series Filter  
 GF400: G400 Series Filter  
 GF600: G600 Series Filter

#### Thread type

Blank: PT  
 T: N  
 G: G

#### Port size

| Model | Port size |
|-------|-----------|
| GF200 | 06: 1/8"  |
|       | 08: 1/4"  |
| GF300 | 08: 1/4"  |
|       | 10: 3/8"  |
|       | 15: 1/2"  |
| GF400 | 10: 3/8"  |
|       | 15: 1/2"  |
| GF600 | 20: 3/4"  |
|       | 25: 1"    |

#### Filtering grade

Blank: 40 μ m  
 W: 5 μ m

#### Accessories

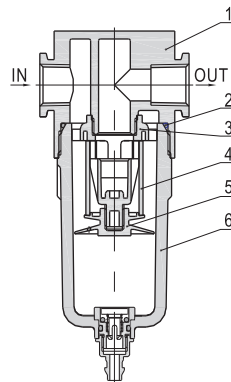
Blank: Bracket  
 J: No bracket(standard configuration)

#### Drain type

| Drain type             | Addable product's series |
|------------------------|--------------------------|
| Blank: Semi-auto drain | GF200, GF300             |
| M: Manual drain        | GF400, GF600             |
| A: Automatic drain     | GF300, GF400, GF600      |

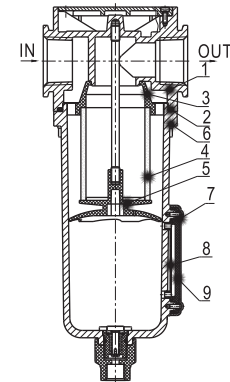
### Inner structure and Material of major parts

GF200



Semi-Auto drain

GF600



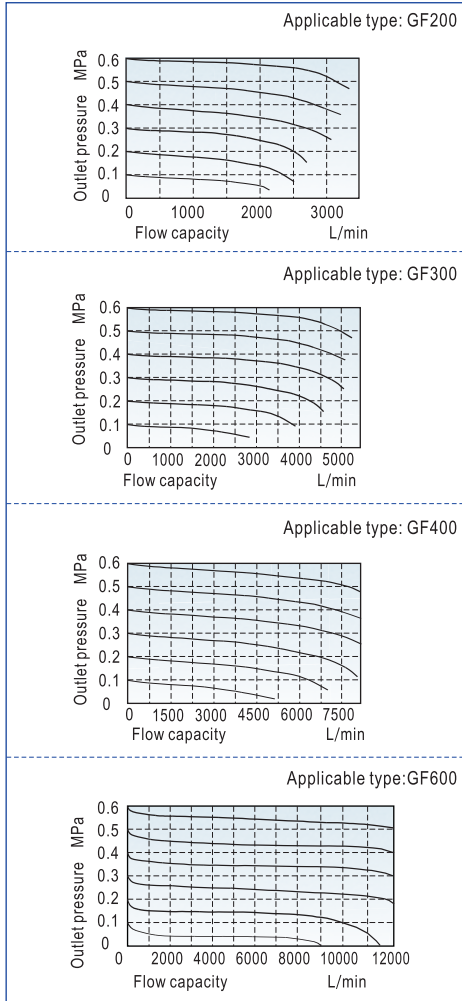
Semi-Auto drain

| No. | Item                      | Material  |
|-----|---------------------------|---|
| 1   | Body                      | Aluminum alloy  |
| 2   | O-ring                    | NBR   |
| 3   | Air guide                 | High viscosity POM  |
| 4   | Filter core               | GF600 Agglomerated by bronze grain<br>Others 40 μ m: Agglomerated by bronze grain\5 μ m: Makrolon fiber |
| 5   | Umbrella baffle           | High viscosity POM  |
| 6   | Drain bowl                | Aluminum alloy(GF600)\PC(Others)  |
| 7   | Liquid meter cover        | SPCC  |
| 8   | Liquid meter seal         | VITON   |
| 9   | Liquid meter inside cover | PC  |

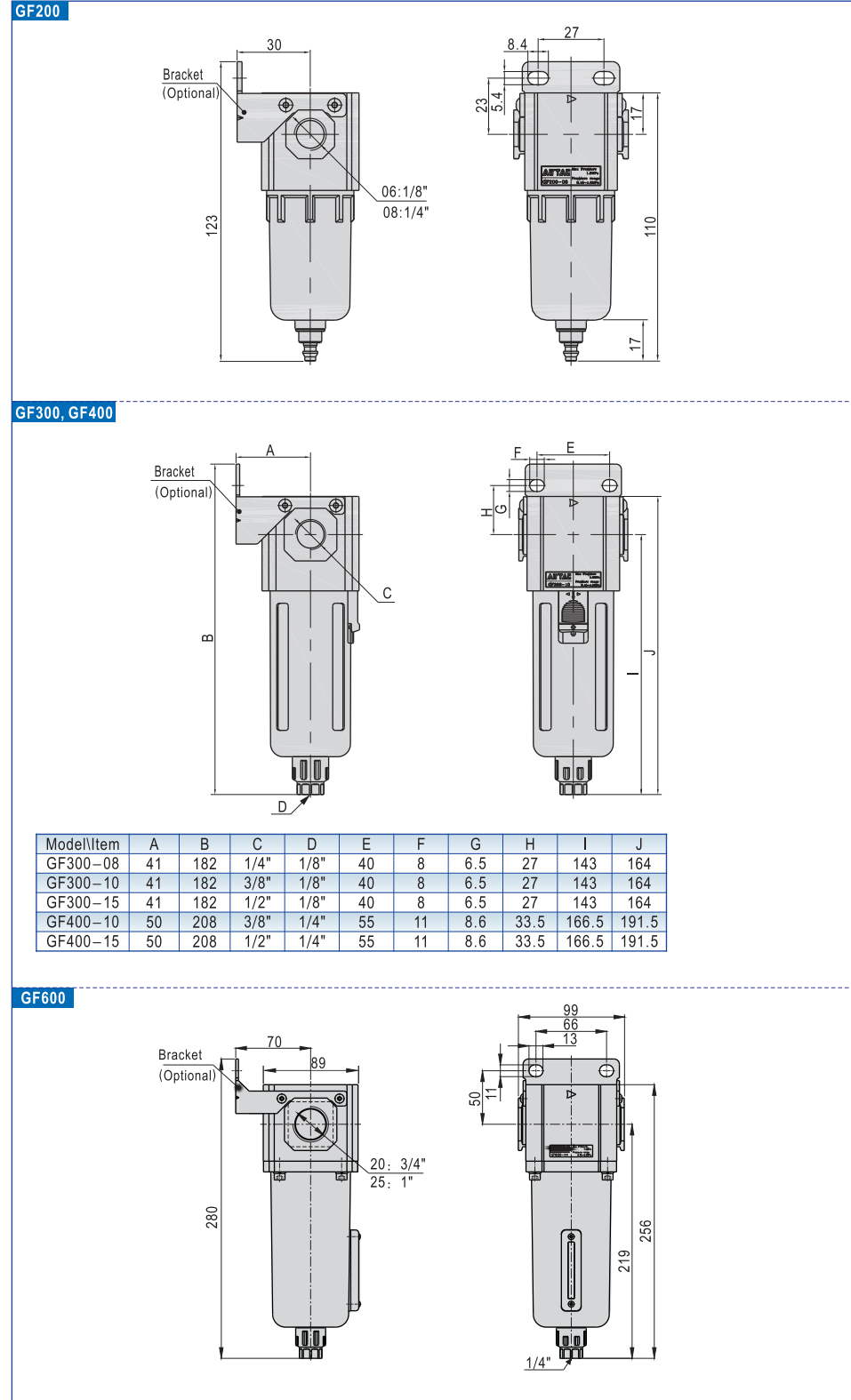


## GF Series

### Flow chart



### Dimensions



### Selection of drain mode

The drain modes of different series are different. Please refer to P137 for details.

