

Preparation unit—F.R.L. combination

GC Series



Specification

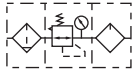
Model	GC200-06	GC200-08	GC300-08	GC300-10	GC300-15	GC400-10	GC400-15	GC600-20	GC600-25	
Fluid	Air									
Port size	1/8"	1/4"	1/4"	3/8"	1/2"	3/8"	1/2"	3/4"	1"	
Filtering grade	40 μm or 5 μm									
Pressure range	Semi-auto and automatic drain: 0.15~0.9MPa(20~130psi); Manual drain: 0.05~0.9MPa(7~130psi)									
Max. pressure	1.0MPa(145psi)									
Proof pressure	1.5MPa(215psi)									
Temperature range	-20~70°C									
Capacity of drain bowl	10CC		40CC			80CC		230CC		
Capacity of oil bowl	25CC		75CC			160CC		380CC		
Recommended lubricant	ISO VG 32 or equivalent									
Weight	580g		1300g			2360g		5550g		
Constitute	Filter	GF200-06	GF200-08	GF300-08	GF300-10	GF300-15	GF400-10	GF400-15	GF600-20	GF600-25
	Regulator	GR200-06	GR200-08	GR300-08	GR300-10	GR300-15	GR400-10	GR400-15	GR600-20	GR600-25
	Lubricator	GL200-06	GL200-08	GL300-08	GL300-10	GL300-15	GL400-10	GL400-15	GL600-20	GL600-25

Ordering code

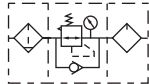
GC200 08 M L F 1 W K

Symbol

No reflux valve is attached



Reflux valve is attached



Product feature

- Oil dripping adopts gap seal structure, which makes the adjustment of oil supply more reliable.
- Oil feed ring can only make one full turn. The quantity of oil supply, basically taking on linear distribution. The quantity of oil supply can be generally calculated according to the position of graduation ring.
- Filling of oil while the lubricator is under pressure is made possible.
- Special drip nozzle structure will produce negative pressure in oil dripping outlet and the mist flow is minimal.
- Quick and reliable mounting clamps makes it convenient to install and use.
- The performance of pressure adjustment is reliable with high precision.
- The efficiency of eliminating moisture and solid grain is high.
- Three drain types are available: manual drain, semi-auto drain and automatic drain.

Model

GC200:	G200 Series F.R.L unit
GC300:	G300 Series F.R.L unit
GC400:	G400 Series F.R.L unit
GC600:	G600 Series F.R.L unit

Port size

Model	Port size
GC200	06: 1/8"
	08: 1/4"
	08: 1/4"
GC300	10: 3/8"
	15: 1/2"
	10: 3/8"
GC400	15: 1/2"
	20: 3/4"
	25: 1"

Drain type

Drain type	Adaptable product's series
Blank: Semi-auto drain	GC200, GC300
M: Manual drain	GC400, GC600
A: Automatic drain	GC300, GC400, GC600

Type code

Blank: Standard
L: Lower pressure ①

Code of reflux valve ②

Blank: No reverse flow valve is attached
K: Reverse flow valve is attached

Thread type

Blank: PT
T: NPT
G: G

Filtering grade

Blank: 40 μm
W: 5 μm

Scale

1: MPa
2: psi
3: bar

Pressure gauge shape

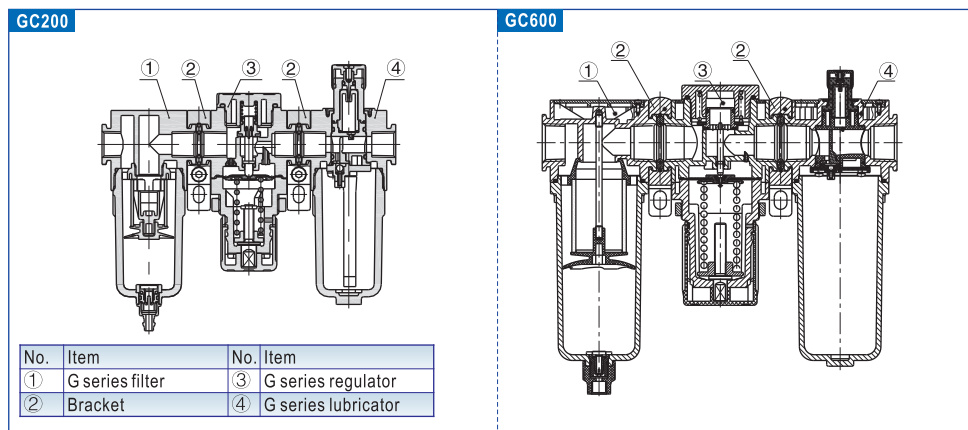
F: Square
C: Circular

Pressure gauge

Blank: Pressure gauge
N: No pressure gauge

① The maximum work pressure of lower pressure type is 0.4MPa(58psi). ② Please refer to page 144 for details of reflux valve.

Inner structure

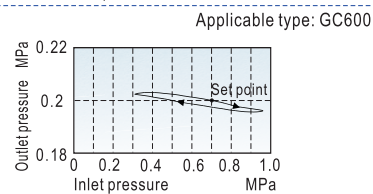
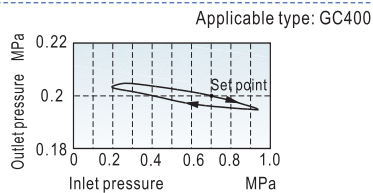
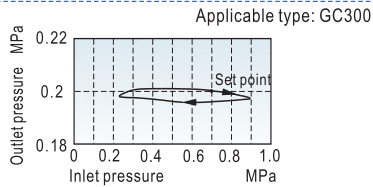
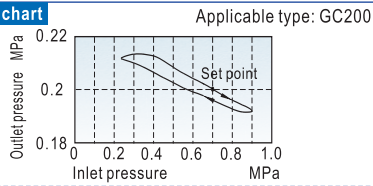


Preparation unit—F.R.L. combination

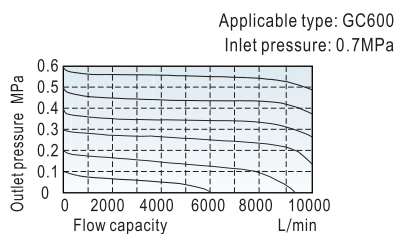
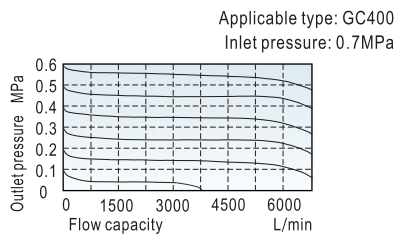
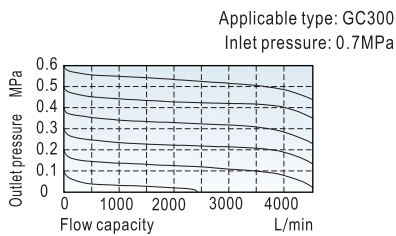
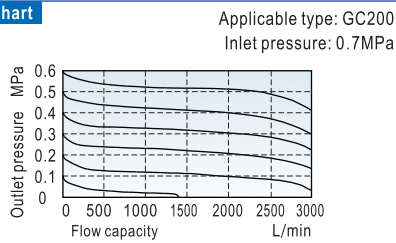
GC Series

Pressure and feature of flow

Pressure chart

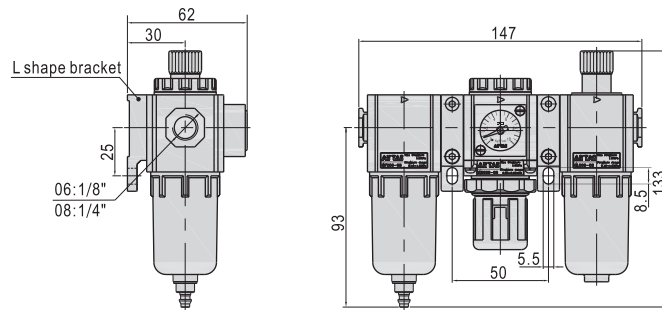


Flow chart

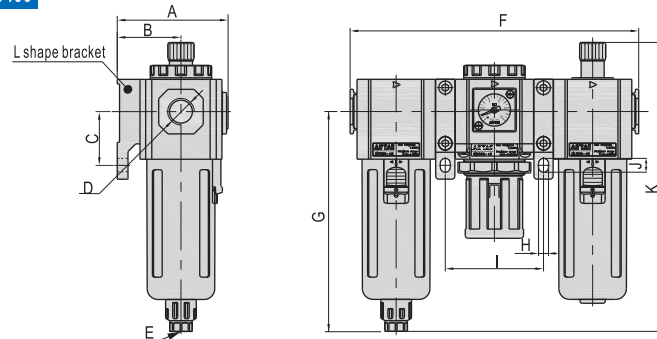


Dimensions

GC200



GC300/GC400



Model\Item	A	B	C	D	E	F	G	H	I	J	K
GC300-08	72	41.5	35	1/4"	1/8"	188	143	6.5	64	9	188
GC300-10	72	41.5	35	3/8"	1/8"	188	143	6.5	64	9	188
GC300-15	72	41.5	35	1/2"	1/8"	188	143	6.5	64	9	188
GC400-10	89	50	40	3/8"	1/4"	248	166.5	8.6	84	12	216
GC400-15	89	50	40	1/2"	1/4"	248	166.5	8.6	84	12	216

GC600

