

Preparation unit—Lubricator



AL、BL Series



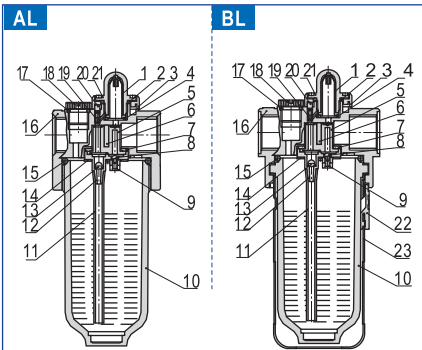
Symbol



Product feature

1. The structure is delicate and compact.
2. The quantity of oil dripping can be directly observed through transparent inspection sheet.
3. BL has high-strength plastic shields, which is more safe and reliable to use.
4. The pressure loss and the flow of miststart is low.

Inner structure and material of major parts



No.	Item	Material
1	Drip pipe	PC
2	Dripper O-ring	NBR
3	Oil adjusting dial	POM
4	Adjusting ring	NBR
5	Lubricator seat	POM
6	Partition	PU
7	Lubricator kit gasket	NBR
8	Adjustor	HDPE
9	Return spring	Stainless steel
10	Oil bowl	PC
11	Sunk tube	PU
12	Lubricator kit	POM
13	Ball	Stainless steel
14	Lubricator fixed plate	SPCC
15	Oil bowl O-ring	NBR
16	Body	Aluminum alloy
17	Oil filling nut O-ring	NBR
18	Oil filling plug	Steel
19	Needle spring	Stainless steel
20	Injector pin	Bronze
21	Check-dome	PC
22	Bowl guard switch	POM
23	Bowl guard	PA6

Specification

Model	AL1500	AL2000	BL2000	BL3000	BL4000
Fluid	Air				
Port size	1/8"	1/4"	1/4"	3/8"	1/2"
Pressure range	0.05~0.9MPa(7~130Psi)				
Proof pressure	1.5MPa(215Psi)				
Temperature range	-20~70°C				
Capacity of oil bowl	25CC		90CC		
Recommended	ISO VG 32 or equivalent				
Weight	170g		250g		

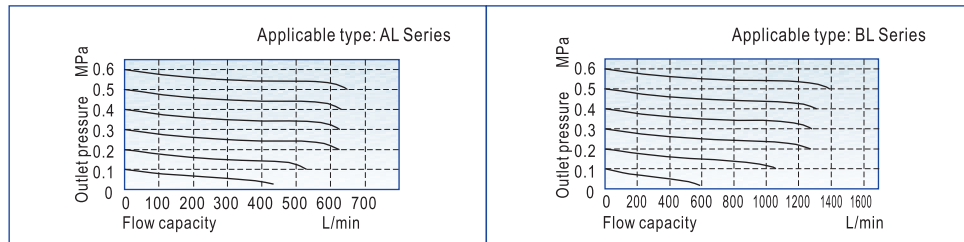
Ordering code

AL 2000 □

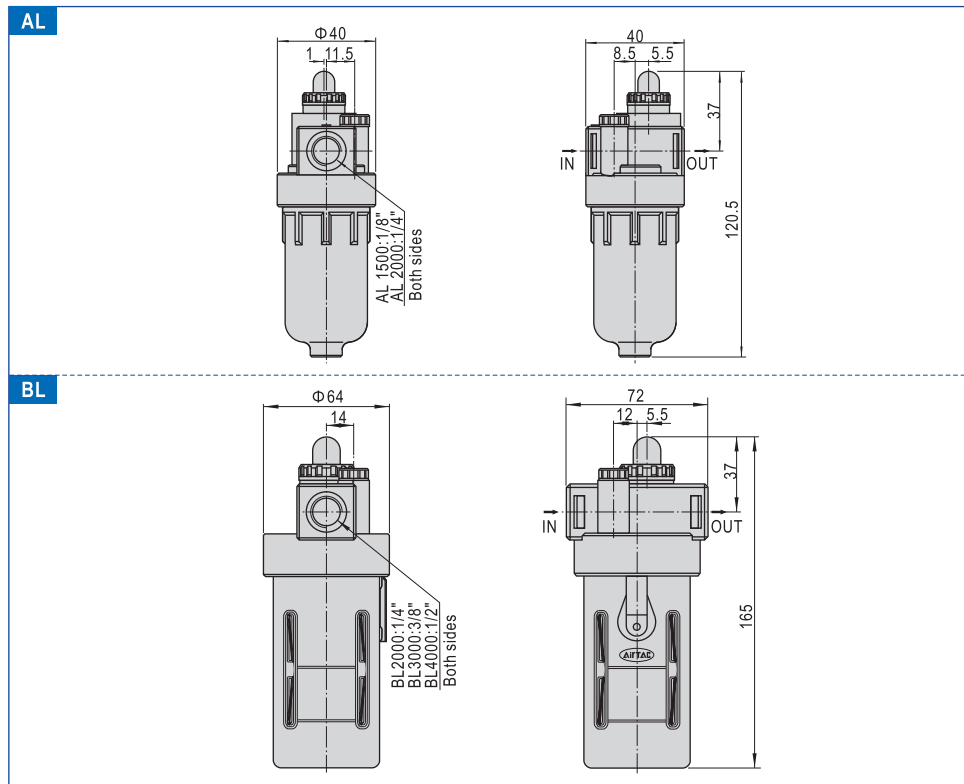
Model		Thread type	
AL: A Series lubricator	BL: B Series lubricator	Blank: PT	T: NPT
		G: G	

Port size	
Series	Port size
AL	1500: 1/8"
	2000: 1/4"
BL	2000: 1/4"
	3000: 3/8"
	4000: 1/2"

Flow chart



Dimensions



AL
BL

