

Preparation unit—Filter & regulator

AFR、BFR Series



Symbol



Product feature

1. The structure is delicate and compact, which is convenient for installation and application.
2. The pressed-in self-locking mechanism can prevent the abnormal movement of the set pressure caused by external interfere.
3. The pressure loss is low and the efficiency of water separating is high;
4. In addition to standard type, lower pressure type is optional(The highest adjustable pressure is 0.4MPa).

Specification

| Model | AFR1500 | AFR2000 | BFR2000 | BFR3000 | BFR4000 |
|------------------------|--|---------|---------|------------------------------------|---------|
| Fluid | Air | | | | |
| Port size | 1/8" | 1/4" | 1/4" | 3/8" | 1/2" |
| Filtering grade | 40 μm or 5 μm | | | | |
| Pressure range | Semi-auto and automatic drain:0.15~0.9MPa(20~130Psi) | | | Manual drain:0.05~0.9MPa(7~130Psi) | |
| Max. pressure | 1.0MPa(145Psi) | | | | |
| Proof pressure | 1.5MPa(215Psi) | | | | |
| Temperature range | -20~70°C | | | | |
| Capacity of drain bowl | 15CC | | 60CC | | |
| Weight | 260g | | 400g | | |

Ordering code

AFR 2000 M **1 W**

- Model**
 - AFR: A Series Filter & regulator
 - BFR: B Series Filter & regulator
- Port size**

| Series | Port size |
|--------|------------|
| AFR | 1500: 1/8" |
| | 2000: 1/4" |
| BFR | 3000: 3/8" |
| | 4000: 1/2" |
- Drain type**

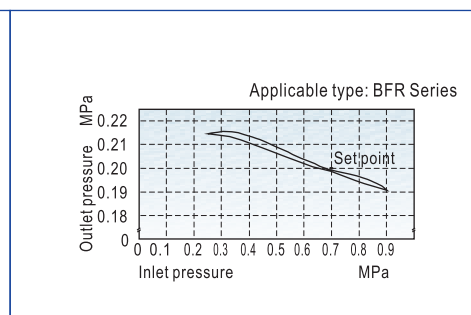
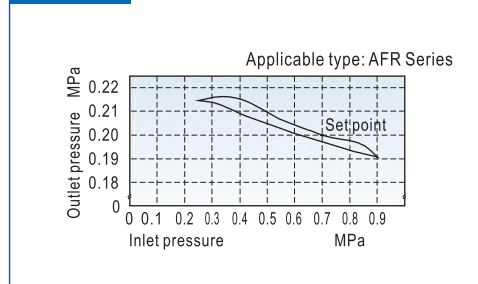
| Series | Drain type |
|--------|------------------------|
| AFR | Blank: Semi-auto drain |
| | M: Manual drain |
| | Blank: Semi-auto drain |
| BFR | M: Manual drain |
| | A: Automatic drain |
| | Blank: Automatic drain |
- Type code**
 - Blank: Standard(0.9MPa)
 - L: Lowerpressure(0.4MPa)
- Thread type**

| Thread type | Scale |
|-------------|----------------------------------|
| Blank:PT | MPa or kgf/cm ² & psi |
| T:NPT | psi |
| G:G | bar |
- Filtering grade**
 - Blank: 40 μm
 - W: 5 μm
- Scale**

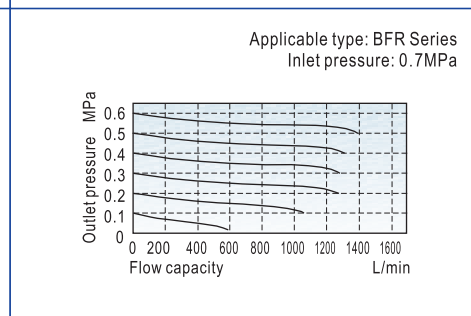
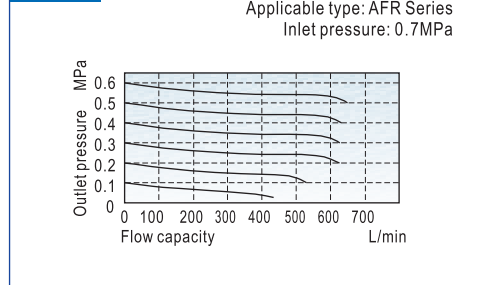
| |
|---|
| 1: MPa |
| 2: psi |
| 3: bar |
| 4: Double scale(psi、kgf/cm ²) |
- Pressure gauge**
 - Blank: Pleasure gauge
 - N: No pleasure gauge
- Accessories**
 - Blank: Bracket
 - J: No bracket

Pressure and feature of flow

Pressure chart



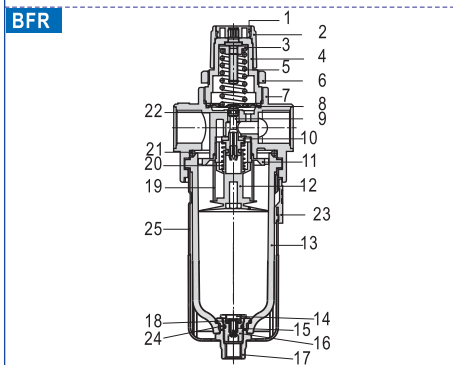
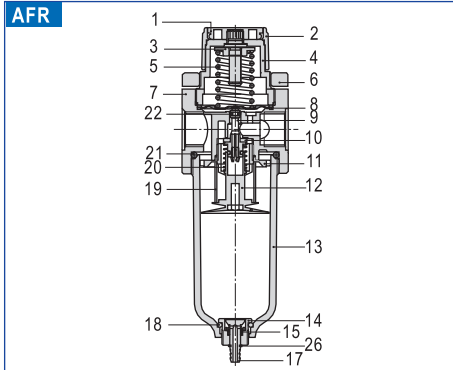
Flow chart



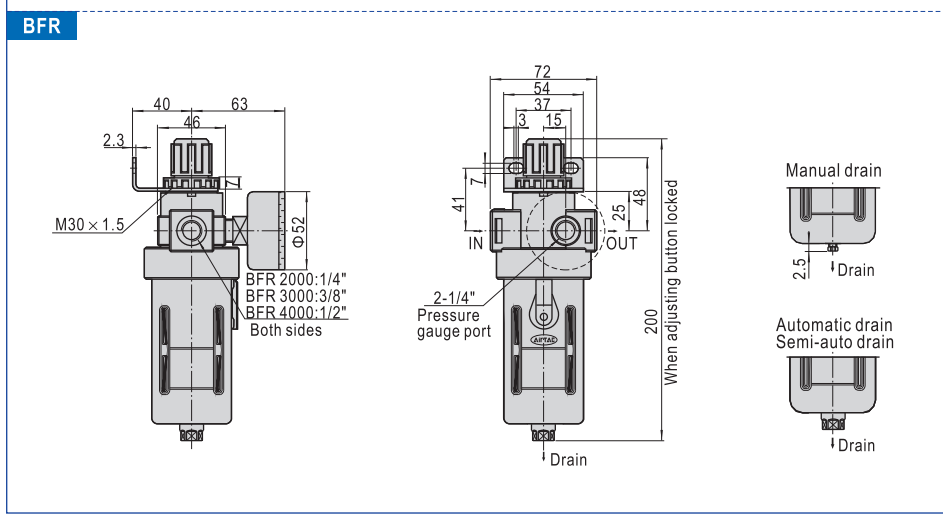
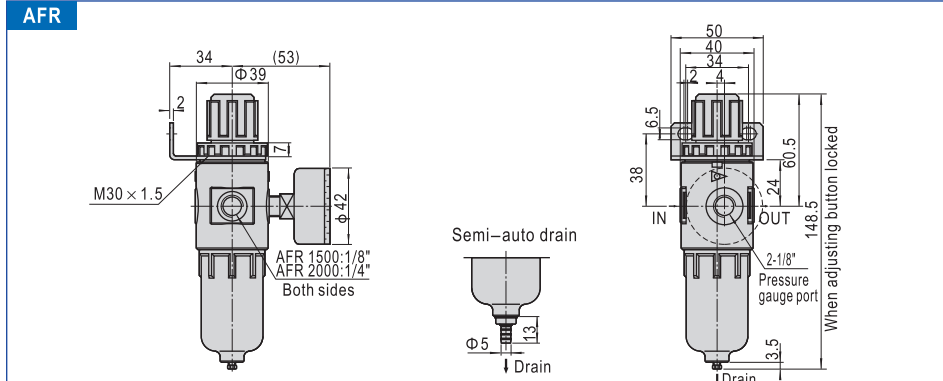
Preparation unit—Filter & regulator

AFR、BFR Series

- Inner structure and Material of major parts
- Dimensions



| No. | Item | Material |
|-----|-------------------|---|
| 1 | Push button | POM |
| 2 | Adjusting button | POM |
| 3 | Adjusting nut | Steel |
| 4 | Adjusting seat | POM |
| 5 | Adjusting spring | SWC |
| 6 | Fixed ring | POM |
| 7 | Body | Aluminum alloy |
| 8 | Diaphragm | SUS304 & rubber |
| 9 | Balance needle | POM |
| 10 | needle gasket | Aluminum alloy & rubber |
| 11 | Air guider | POM |
| 12 | Umbrella baffle | POM |
| 13 | Drain bowl | PC |
| 14 | Drain kit | POM |
| 15 | Return spring | Stainless steel |
| 16 | Drain seat | POM |
| 17 | Drain pillar | POM |
| 18 | Drain O-ring | NBR |
| 19 | Filter element | 5 μ m Makrolon fiber 40 μ m Agglomerated by bronze grain |
| 20 | Return spring | Stainless steel |
| 21 | Drain bowl O-ring | NBR |
| 22 | Needle O-ring | NBR |
| 23 | Bowl guard switch | POM |
| 24 | Gasket | POM |
| 25 | Bowl guard | PA66 |
| 26 | Clip | Spring steel |



Selection of drain mode

The drain modes of different series are different.
Please refer to P 151 for details.

