

Preparation unit—Regulator

SDR Series



Symbol

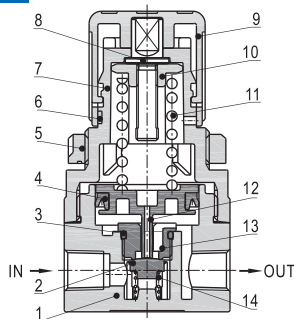


Product feature

1. Back pressure structure, compact type, cost-effective, installation time saving.
2. Broad regulating range; low-pressure type is optional other than the standard type; stable output pressure; applicable to situation which has low expectation on output pressure but high expectation on performance and cost-effectiveness.
3. Single unit installation; easy to mount

Inner structure and material of major parts

SDR200



No.	Item	Material
1	Body	Aluminum alloy
2	Needle gasket	NBR
3	O-ring	NBR
4	O-ring	NBR
5	Fixed ring	POM
6	Identification ring	POM
7	Adjusting seat	POM
8	Adjusting pillar	Brass
9	Adjusting button	POM
10	Adjusting nut	Steel
11	Adjusting spring	SWC
12	Piston rode	POM
13	Adjusting seat	POM
14	Return spring	SUS304

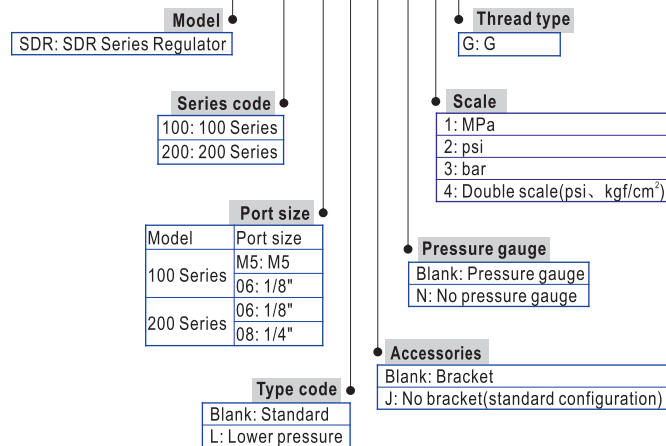
Specification

Model	SDR100-M5	SDR100-06	SDR200-06	SDR200-08	SDR100L-06	SDR200L-06	SDR200L-08
Fluid	Air						
Pressure range	0.05~0.9MPa(7~130psi)			0.03~0.4MPa(4~58psi)			
Max. pressure	1.0MPa(145psi)			0.4MPa(58psi)			
Proof pressure	1.5MPa(215psi)						
Temperature range	-5~60°C						
Port size ①	M5	1/8"	1/4"	1/8"	1/8"	1/4"	1/4"

① G thread is available.

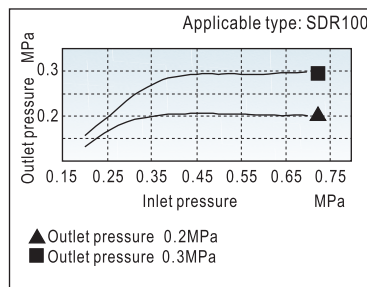
Ordering code

SDR 200 08 L □ □ 1 G

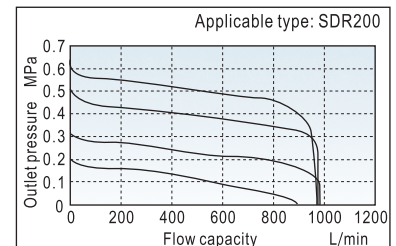
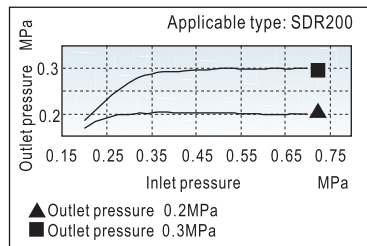
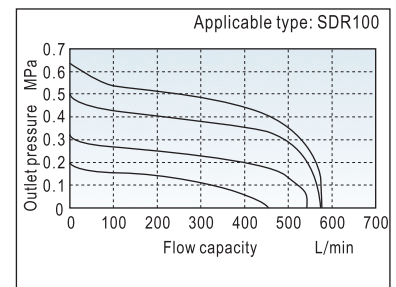


Pressure and feature of flow

Pressure chart



Flow chart



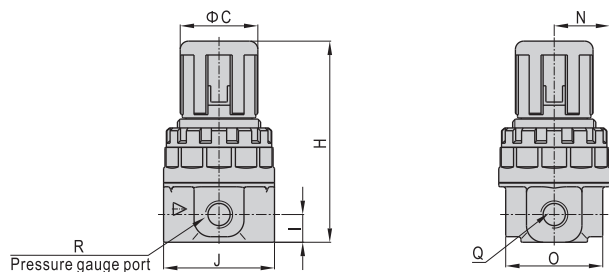
Preparation unit—Regulator

SDR Series

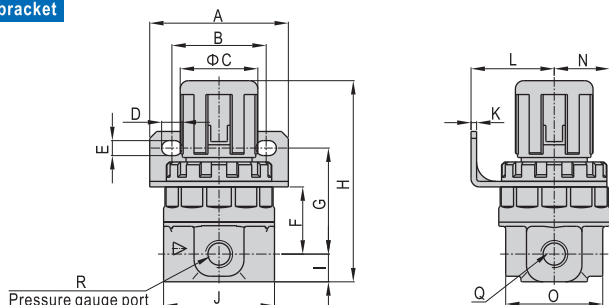
■ Dimensions



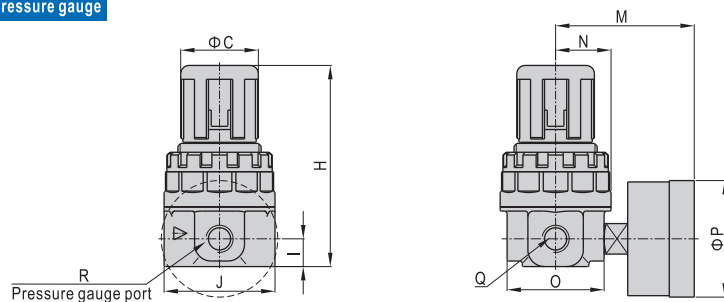
Base



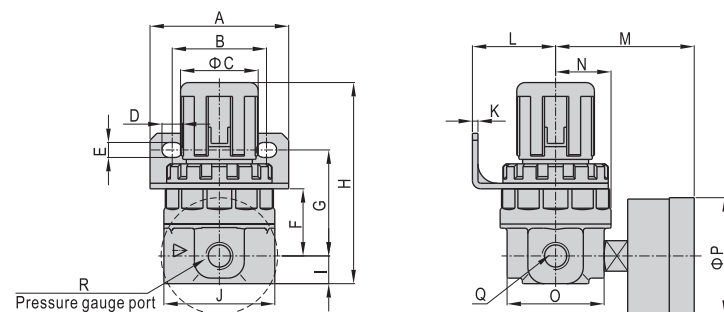
With bracket



With pressure gauge



With bracket & with pressure gauge



Model/Item	A	B	C	D	E	F	G	H	I	J	K	L	M	N	O	P	Q	R
SDR100□M5	35	22	20	7	5.5	17	29	54.3	8.5	32	1.5	26	39.5	14.7	29	33	M5	1/16"
SDR100□06	35	22	20	7	5.5	17	29	54.3	8.5	32	1.5	26	39.5	14.7	29	33	1/8"	1/16"
SDR200□06	50	34	28	7.4	5.5	24.2	38.2	72.5	10	40	2	30	50	20	35	42	1/8"	1/8"
SDR200□08	50	34	28	7.4	5.5	24.2	38.2	72.5	10	40	2	30	50	20	35	42	1/4"	1/8"

