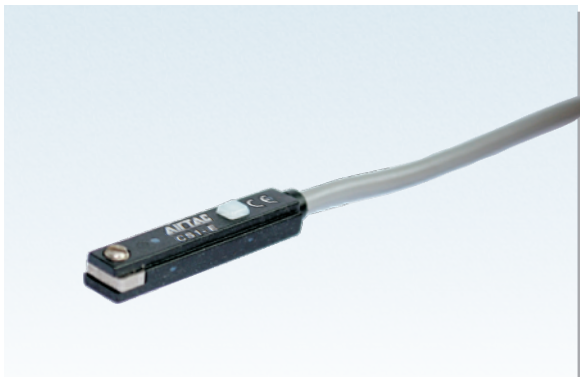
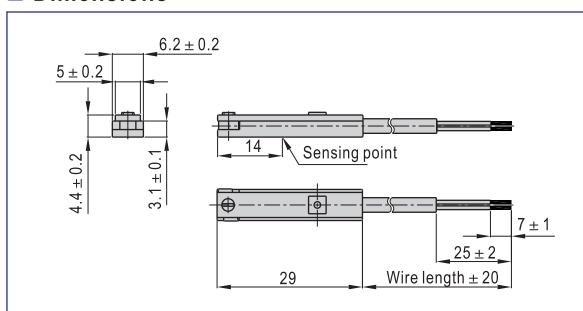


Sensor switch

CS1-E Series



Dimensions



Specification

Item/Type	CS1-E	CS1-EX
Switch logic	STSP Normally opened type	
Switch type	Reed switch with contact	
Operating voltage(V)	5~240V AC/DC	
Max. Switching current(mA)	100	
Switching rating(W)	Max. 10	
Current consumption	No	
Voltage drop	2.5V Max. @100mA DC	
Cable	Φ 2.8,2C Gray oil resistant PVC (Flame retarded)	
Indicator	Red LED	No
Leakage current	No	
Sensitivity(Gauss)	45-55	
Max. Frequency(Hz)	200	
Shock(m/s ²)	300	
Vibration(m/s ²)	90	
Temperature range(°C) ①	-10~70	
Enclosure classification	IP67(NEMA6)	
Protection circuit	No	

① Note: Please contact us for high temperature resistant(125°C),low temperature resistant(-40~-25°C) and explosion-proof sensor switch.

Ordering code

CS1 E X 020	
Number of sensor switch CS1: Sensor switch	Connecting way ① C08: M8 quick joint, length of wire is 150mm C12: M12 quick joint, length of wire is 150mm 020: length of wire is 2m 030: length of wire is 3m 050: length of wire is 5m 100: length of wire is 10m
Specification of sensor switch Specification Product Series E: E type Use for SE,ACE series	
Model of sensor switch Blank: two-line magnetic spring pipe with contact/normally opened X: two-line magnetic spring pipe with contact, without indicator light/normally opened	

① Note: The quick joint that is attached at the end of wire is three-needle-male joint-linear-rotary screw thread type. The female joint plug has to be ordered additionally. Please refer to P442 for the specific data.

Mounting

Installation example	Installation method
	No additional accessories are necessary for the sensor switch of CS1-E, CS1-EX series. It can be directly fixed onto the groove of the cylinder, which is convenient and fast. 1. Adjust the clamping screw on sensor switch slide the sensor switch into the installation slot and adjust it to the proper position and tighten the clamping screw to fix.



Sensor switch