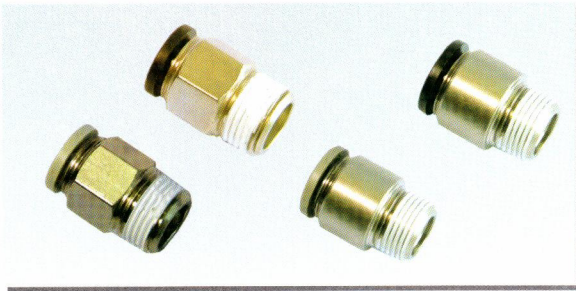
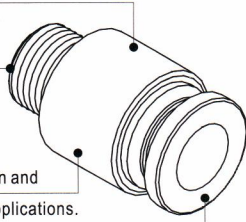


PC, POC series



Product feature

1. The compact appearance space saving.
2. The threaded portion is covered with sealant and the M5 thread is attached with a sealing gasket to prevent air leakage over the connection thread portion.
3. The nickel plated body is anti-corrosion and anti-pollution, which allows broader applications.
4. Grey and black are optional for the release button.



Ordering code

PC 6 01

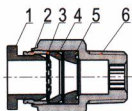
Model	Thread type
PC: Male connector	Blank: PT
POC: Male connector	T: NPT
	G: G
Standard color	Specification
Blank: Gray	Release button: Gray
D: Black	Release button: Black
Port size	Thread connection
4: $\Phi 4$ mm	M5: M5 \times 0.8
6: $\Phi 6$ mm	$\Phi 4 \setminus \Phi 6$
8: $\Phi 8$ mm	01: 1/8"
10: $\Phi 10$ mm	02: 1/4"
12: $\Phi 12$ mm	03: 3/8"
	04: 1/2"
	$\Phi 8 \setminus \Phi 10 \setminus \Phi 12$

Table for interface port and tube O.D.

Product series	Thread type	Port size				
		$\Phi 4$	$\Phi 6$	$\Phi 8$	$\Phi 10$	$\Phi 12$
PC	M5	●	●			
	1/8"	●	●	●	●	●
	1/4"	●	●	●	●	●
	3/8"		●	●	●	●
POC	1/2"		●	●	●	●
	M5	●	●			
	1/8"	●	●	●	●	
	1/4"	●	●	●	●	●
	3/8"			●	●	●
	1/2"				●	●

Inner structure

Model: PC	No.	Item	Material
	1	Release button	POM
	2	Guide	Aluminum alloy
	3	Spring gasket	Stainless steel
	4	Chuck	POM
	5	O-ring	NBR
	6	Body	Brass

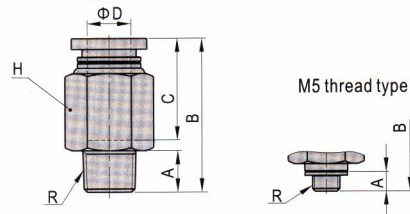


Specification

Operating pressure range	0~9kgf/cm ² (0~0.9MPa)
Negative pressure	-750mmHg(10Torr)
Proof pressure	1.5MPa
Ambient and fluid temperature (°C)	0~60
Applicable tubing	Soft nylon or polyurethane
Color	Grey/black

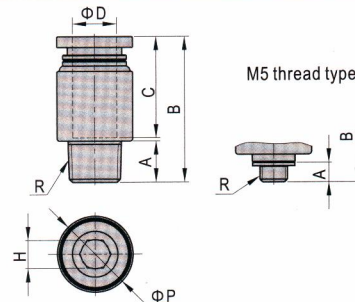
Dimensions

PC series



Model\Item	ΦD	R	A	B	C	H	Weight(g)
PC4M5		M5 \times 0.8	3.5	19.5	14	9	6.3
PC401	4	1/8"	7.5	19.5	14	10	7.1
PC402		1/4"	10	19.3	14	14	13.3
PC6M5	6	M5 \times 0.8	3.5	22.4	16.4	12	8.3
PC601		1/8"	7.5	21.9	18.5	12	7.4
PC602		1/4"	10	24.4	18.5	14	15.5
PC603		3/8"	11	22.7	18.5	17	24.0
PC604		1/2"	14	26	18.5	21	46.0
PC801	8	1/8"	7.5	27.9	18.5	14	13.5
PC802		1/4"	10	26.8	18.5	14	13.0
PC803		3/8"	11	23.6	18.5	17	20.9
PC804		1/2"	14	26.8	18.5	21	43.3
PC1001	10	1/8"	7.5	29.9	20.9	17	20.3
PC1002		1/4"	10	32.6	20.9	17	24.1
PC1003		3/8"	11	28.2	20.9	17	20.6
PC1004		1/2"	14	26.3	20.9	21	31.6
PC1201	12	1/8"	7.5	32.4	22.7	21	38.3
PC1202		1/4"	10	34.9	22.7	21	40.4
PC1203		3/8"	11	30.5	22.7	21	28.7
PC1204		1/2"	14	32.5	22.7	21	41.5

POC series



Model\Item	ΦD	R	ΦP	A	B	C	H
POC4M5		M5 \times 0.8	8.8	3.5	18.5	14	2
POC401	4	1/8"	9.8	7.5	17.8	14	2.5
POC402		1/4"	13.8	10	19.5	14	3
POC6M5	6	M5 \times 0.8	11.8	3.5	21.4	16.4	2
POC601		1/8"	11.8	7.5	21.9	18.5	4
POC602		1/4"	13.8	10	21.9	18.5	4
POC801	8	1/8"	13.8	7.5	26.6	18.1	5
POC802		1/4"	13.8	10	25.1	18.1	6
POC803		3/8"	16.8	11	23.6	18.1	6
POC1001	10	1/8"	16.8	7.5	29.9	20.9	5
POC1002		1/4"	16.8	10	29	20.9	6
POC1003		3/8"	16.8	11	28.2	20.9	8
POC1004		1/2"	21	14	26.3	20.9	8
POC1202	12	1/4"	20.8	10	34.4	22.7	6
POC1203		3/8"	20.8	11	29.9	22.7	8
POC1204		1/2"	21	14	31.9	22.7	8