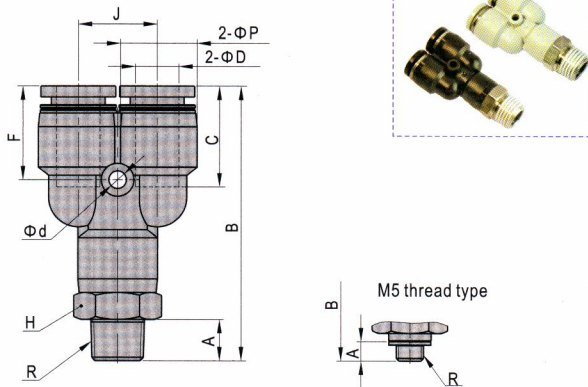


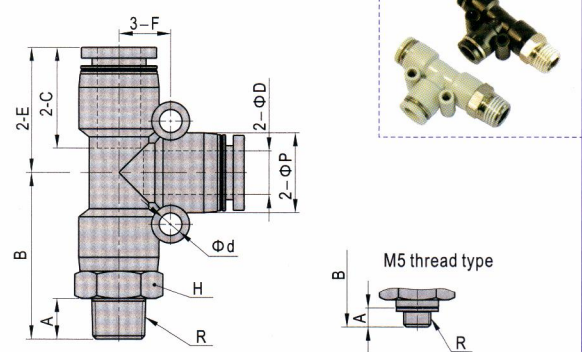
One-touch fittings---threaded type

PYB series



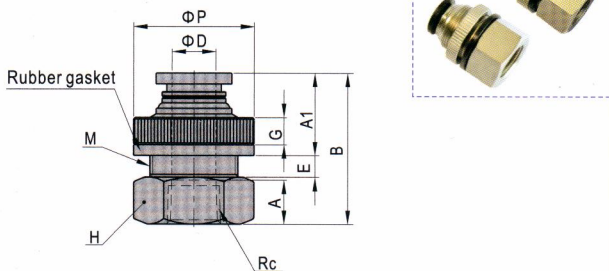
Model\Item	ΦD	R	ΦP	Φd	A	B	C	F	J	H
PYB4M5	4	M5×0.8	9	3.2	3.5	35.3	14	12.8	10	9
PYB401		1/8"	9	3.2	7.5	39.3	14	12.8	10	10
PYB402		1/4"	9	3.2	10	42.3	14	12.8	10	14
PYB6M5	6	M5×0.8	12.5	3.2	3.5	40.5	16.5	15.5	12	12
PYB601		1/8"	12.5	3.2	7.5	44.5	16.5	15.5	12	12
PYB602		1/4"	12.5	3.2	10	47.5	16.5	15.5	12	14
PYB603	8	3/8"	12.5	3.2	11	49.0	16.5	15.5	12	17
PYB801		1/8"	14.7	3.2	7.5	50.2	18.6	17	14.5	14
PYB802		1/4"	14.7	3.2	10	52.7	18.6	17	14.5	14
PYB803	8	3/8"	14.7	3.2	11	54.2	18.6	17	14.5	17
PYB804		1/2"	14.7	3.2	14	58.2	18.6	17	14.5	21
PYB1001	10	1/8"	17.7	4.3	7.5	56.6	20.9	19.3	18	17
PYB1002		1/4"	17.7	4.3	10	59.1	20.9	19.3	18	17
PYB1003		3/8"	17.7	4.3	11	60.1	20.9	19.3	18	17
PYB1004	12	1/2"	17.7	4.3	14	64.1	20.9	19.3	18	21
PYB1202		1/4"	21	4.3	10	65.8	22.7	21	20.5	21
PYB1203		3/8"	21	4.3	11	66.8	22.7	21	20.5	21
PYB1204	12	1/2"	21	4.3	14	69.8	22.7	21	20.5	21

PED series



Model\Item	ΦD	R	ΦP	Φd	A	B	C	E	F	H
PED4M5	4	M5×0.8	9	3.2	3.5	21	14	16.8	6.5	9
PED401		1/8"	9	3.2	7.5	25	14	16.8	6.5	10
PED402		1/4"	9	3.2	10	28	14	16.8	6.5	14
PED6M5	6	M5×0.8	12.5	3.2	3.5	23.5	16.5	19.9	8	12
PED601		1/8"	12.5	3.2	7.5	27.5	16.5	19.9	8	12
PED602		1/4"	12.5	3.2	10	30.5	16.5	19.9	8	14
PED603	8	3/8"	12.5	3.2	11	32	16.5	19.9	8	17
PED801		1/8"	14.7	4.3	7.5	30.6	18.6	23	9.5	14
PED802		1/4"	14.7	4.3	10	33.1	18.6	23	9.5	14
PED803	8	3/8"	14.7	4.3	11	34.6	18.6	23	9.5	17
PED804		1/2"	14.7	4.3	14	38.6	18.6	23	9.5	21
PED1001	10	1/8"	17.7	4.3	7.5	34.2	20.9	26.3	11	17
PED1002		1/4"	17.7	4.3	10	36.7	20.9	26.3	11	17
PED1003		3/8"	17.7	4.3	11	37.7	20.9	26.3	11	17
PED1004	12	1/2"	17.7	4.3	14	41.7	20.9	26.3	11	21
PED1202		1/4"	21	4.3	10	41	22.7	29.8	13	21
PED1203		3/8"	21	4.3	11	42	22.7	29.8	13	21
PED1204	12	1/2"	21	4.3	14	45	22.7	29.8	13	21

PMF series



Model\Item	ΦD	Rc	ΦP	A	A1	B	E	G	M	H
PMF401	4	1/8"	16	8	11.9	25	4.1	4	M12×1	14
PMF402		1/4"	16	11	11.9	29	4.1	4	M12×1	17
PMF601	6	1/8"	19	8	12.5	25.5	5	4	M14×1	17
PMF602		1/4"	19	11	12.5	30.5	5	4	M14×1	17
PMF603	8	3/8"	19	12	12.5	31.5	5	4	M14×1	21
PMF801		1/8"	22	8	14.4	27.5	4.6	5	M16×1	19
PMF802		1/4"	22	11	14.4	32	4.6	5	M16×1	19
PMF803	8	3/8"	22	12	14.4	33	4.6	5	M16×1	21
PMF804		1/2"	22	13.5	14.4	34.5	4.6	5	M16×1	25
PMF1001	10	1/8"	26	8	14.4	29.9	7.5	5	M20×1	22
PMF1002		1/4"	26	11	14.4	34.9	7.5	5	M20×1	22
PMF1003		3/8"	26	12	14.4	35.9	7.5	5	M20×1	22
PMF1004	12	1/2"	26	13.5	14.4	37.4	7.5	5	M20×1	25
PMF1202		1/4"	28	11	15.5	34.7	8.2	6	M22×1	24
PMF1203		3/8"	28	12	15.5	37.7	8.2	6	M22×1	24
PMF1204	12	1/2"	28	13.5	15.5	39.2	8.2	6	M22×1	25

