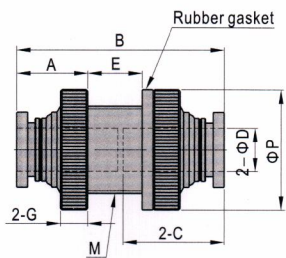


Accessories—One-Touch Fittings

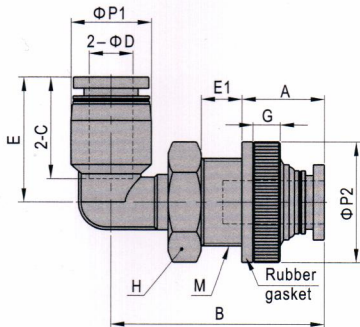
One-touch fittings---tube-tube type, One-touch fittings---threaded type

PM series



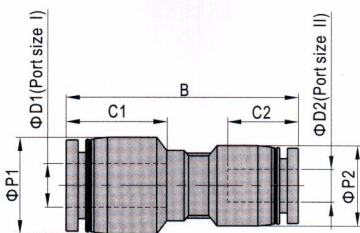
Model\Item	φD	φP	A	B	C	E	G	M
PM4	4	16	9.9	29	14	7.2	4	M12 × 1
PM6	6	19	10.5	33.9	16.5	11	4	M14 × 1
PM8	8	22	12.4	38	18.5	11.2	5	M16 × 1
PM10	10	26	12.4	42.8	20.9	16	5	M20 × 1
PM12	12	28	13.5	46.4	22.7	17.4	6	M22 × 1

PLM series



Model\Item	φD	φP1	φP2	A	B	C	E	E1	M	G	H
PLM4	4	9	16	11.9	31.1	14	16.8	7.4	M12 × 1	4	14
PLM6	6	12.5	19	12.5	35.3	16.8	20.1	8.4	M14 × 1	4	17
PLM8	8	14.7	22	14.4	39.0	18.6	22.8	8.1	M16 × 1	5	19
PLM10	10	17.7	26	14.4	44.6	20.9	25.7	10.8	M20 × 1	5	22
PLM12	12	21	28	15.5	48.0	22.7	29.5	11	M22 × 1	6	14

PG series



Model\Item	φD1	φD2	φP1	φP2	C1	C2	B
PG6-4	6	4	12.5	9	16.5	14	33.5
PG8-4	8	4	14.7	12.5	18.6	14	37.5
PG8-6	8	6	14.7	12.5	18.6	16.5	38.1
PG10-6	10	6	17.7	14.7	20.9	16.5	42.0
PG10-8	10	8	17.7	14.7	20.9	18.6	42.5
PG12-8	12	8	21	17.7	22.7	18.6	46.7
PG12-10	12	10	21	17.7	22.7	20.9	46.9

One-touch fittings---threaded type



Product feature

1. Variable models can be widely used in every kind of pneumatic systems.
2. High circulation performance: bear the same flow with the volume of the tubing inside diameter.
3. The nickel plated body is anti-corrosion and anti-pollution, which allows a broader application.

Specification

Operating pressure range	0~9kg/cm ² (0~0.9MPa)
Negative pressure	-750mmHg(10Torr)
Proof pressure	1.5MPa
Ambient and fluid temperature (°C)	0~60

Ordering code

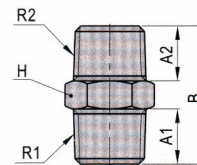
BB 01 01 □

Model	Thread type
BB: Male connector	Blank: PT
	T: NPT
	G: G

Thread connection I	Thread connection II
01: 1/8"	01: 1/8"
02: 1/4"	02: 1/4"
03: 3/8"	03: 3/8"
04: 1/2"	04: 1/2"

Dimensions

BB series



Model\Item	R1	R2	A1	A2	B	H
BB0101	1/8"	1/8"	7.5	7.5	19.5	10
BB0102	1/4"	1/8"	10	7.5	22.5	14
BB0103	3/8"	1/8"	11	7.5	24	17
BB0202	1/4"	1/4"	10	10	25	14
BB0203	3/8"	1/4"	11	10	26.5	17
BB0204	1/2"	1/4"	14	10	30	21
BB0303	3/8"	3/8"	11	11	27.5	17
BB0304	1/2"	3/8"	14	11	31	21
BB0404	1/2"	1/2"	14	14	34	21