

CE
ISO9001:2008

4V100 Series Solenoid Valve, Air Piloted Valve



Valve

DJF
JELMP
JELP/G
MCS
4V100
4V200
4V300
4V400
Manifold
SV
3V1
JEL
3VJZF
4VJZF
MVSD
VF, VZ
BM
Diaphragm
Coil
2V
2W
2W(Big)
2P
2L
VX
PU
PU225
2Q
JEL5404
JEL6213
BU
Pulse
JELJZF
4H
TSV
MPV
4HV
HV, K
4R
FV
MSV
JM
ASC, RE
QE, QEA
ST
HSV

Ordering Code

4V	1	10	06	B	AC220V	W	F
Specification	Series Code	Coil and Type	Port size	Connection and Initial status	Standard Voltage	Wiring	Joint
4V: 5/2 (3) way solenoid valve 4A: 5/2 (3) way air pilot valve 3V: 3/2 way solenoid valve 3A: 3/2 way air pilot valve	1: 100 Series	10: Single coil 20: Double coil 30C: Mid-position closed 30E: Mid-position exhausted 30P: Mid-position pressed	M5: M 5 × 0.8 06: 1/8"	Blank: Threaded B: Sub-plated mounted (for 5/2,5/3 way only) NC: 3/2 way normal close NO: 3/2 way normal open	DC12V DC24V AC24V 50Hz/60Hz AC110V 50Hz/60Hz AC220V 50Hz/60Hz AC380V 50Hz/60Hz	Blank: Without light terminal LD: Brown with light terminal LD1: White with light terminal W: Lead wire	1 F-20 F

Specification

Model	4V110-M5	4V120-M5	4V130C-M5	4V130E-M5	4V130P-M5	4V110-06	4V120-06	4V130C-06	4V130E-06	4V130P-06
Valve Type	5/2 way		5/3 way			5/2 way		5/3 way		
Effective Cross Section Area	10 mm ² (CV = 0.56)		7 mm ² (CV = 0.40)			12 mm ² (CV = 0.67)		9 mm ² (CV = 0.5)		
Model	3V110-M5	3V120-M5	3A110-M5	3A120-M5	3V110-06	3V120-06	3A110-06	3A120-06		
Valve Type	3/2 way									
Effective Cross Section Area	10 mm ² (CV = 0.56)					12 mm ² (CV = 0.67)				
Port Size	Inlet, Outlet, Exhaust Port = M5 × 0.8					Inlet, Outlet, Exhaust Port = G 1/8"				
Working Medium	40 Micron Filtered Air									
Operation	Internal piloted									
Working-pressure	0.15 ~ 0.8 MPa									
Max. Test Pressure	1.2 MPa									
Ambient Temperature	5 ~ 50 °C									
Operating Voltage Tolerance	± 10%									
Power Consumption	AC: 2.8 VA DC: 2.8 W									
Connector Protection	F Class, IP 65									
Wiring / Connector	Cable / Lead Wire or DIN Connector									
Switching Frequency	5 Cycles / Sec.									
Response Time	0.05 Sec.									

4V100 Series

Solenoid Valve, Air Pilot Valve

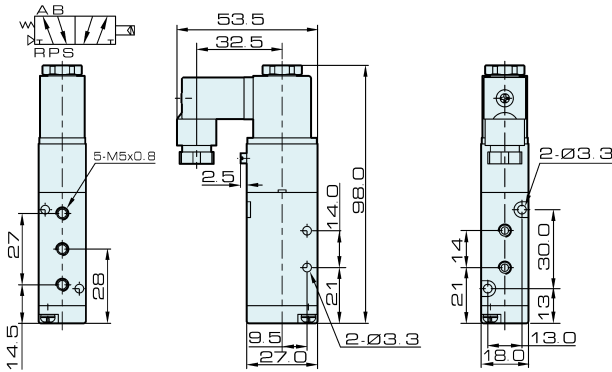


We make the difference

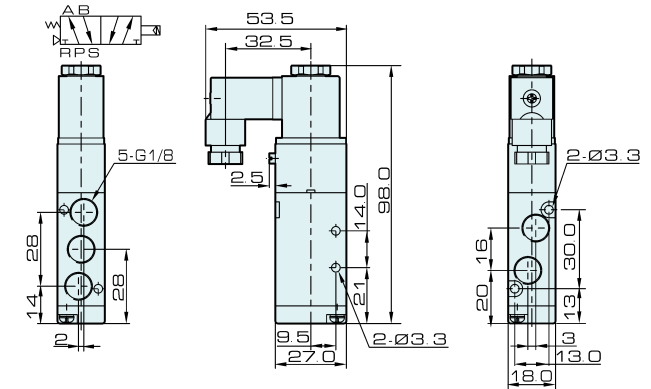
Overall Dimension

- Valve
- DJF
- JELMP
- JELP/G
- MCS
- 4V100
- 4V200
- 4V300
- 4V400
- Manifold
- SV
- 3V1
- JEL
- 3VJZF
- 4VJZF
- MVSD
- VF, VZ
- BM
- Diaphragm
- Coil
- 2V
- 2W
- 2W(Big)
- 2P
- 2L
- VX
- PU
- PU225
- 2Q
- JEL5404
- JEL6213
- BU
- Pulse
- JELJZF
- 4H
- TSV
- MPV
- 4HV
- HV, K
- 4R
- FV
- MSV
- JM
- ASC, RE
- QE, QEA
- ST
- HSV

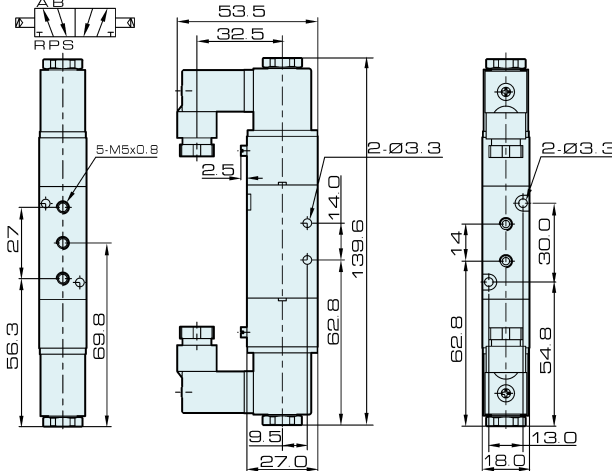
4V110-M5



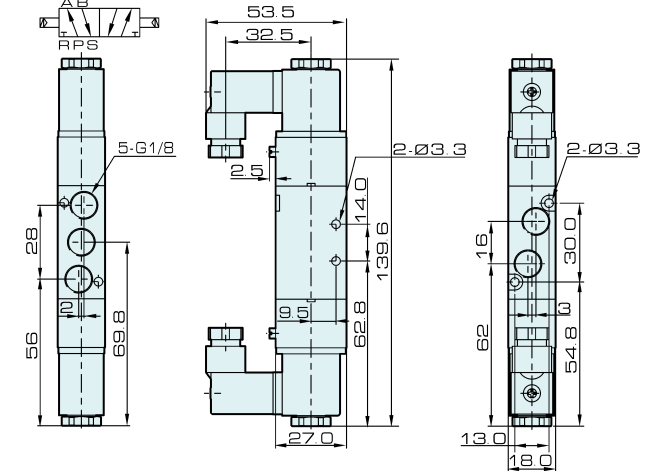
4V110-06



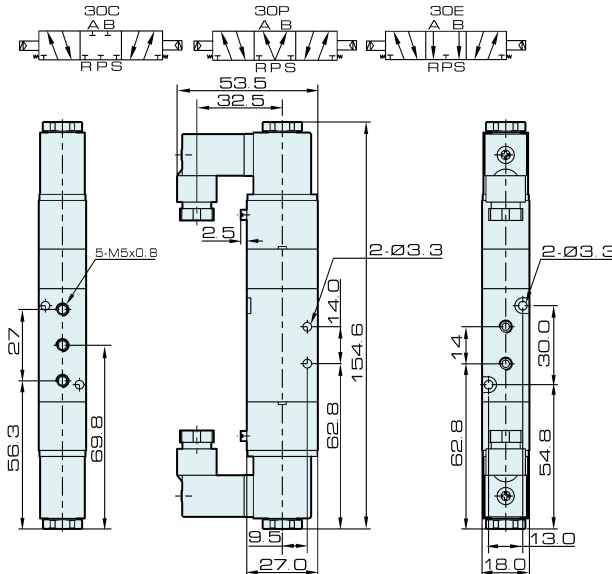
4V120-M5



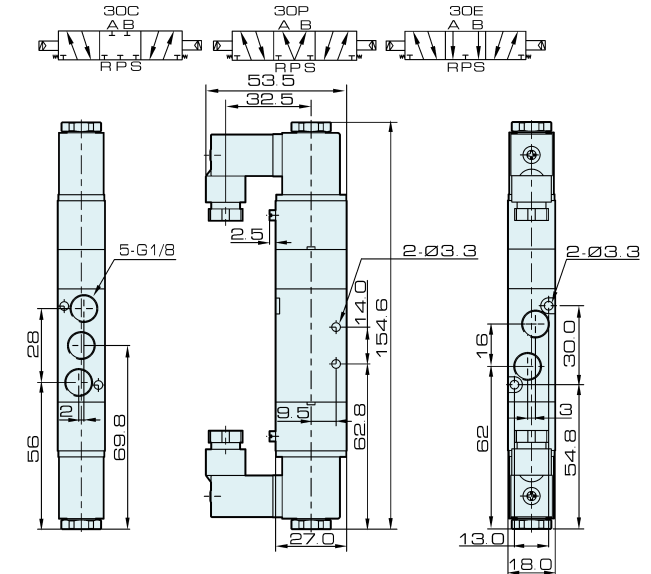
4V120-06



4V130-M5

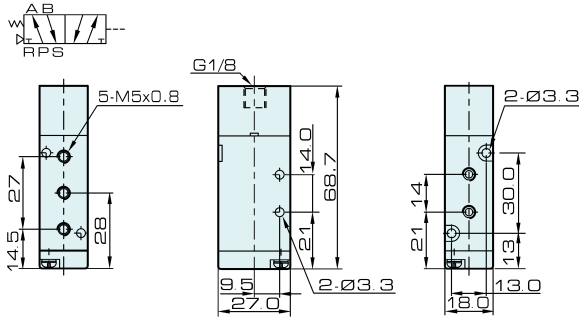


4V130-06

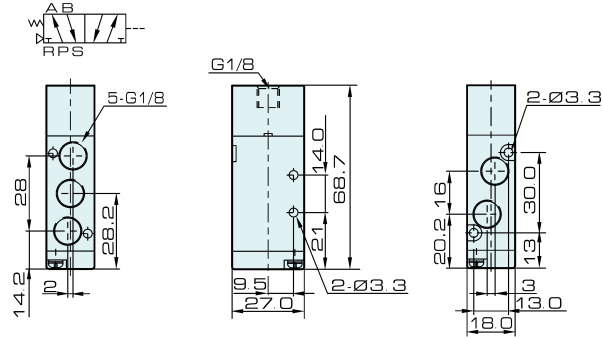


Overall Dimension

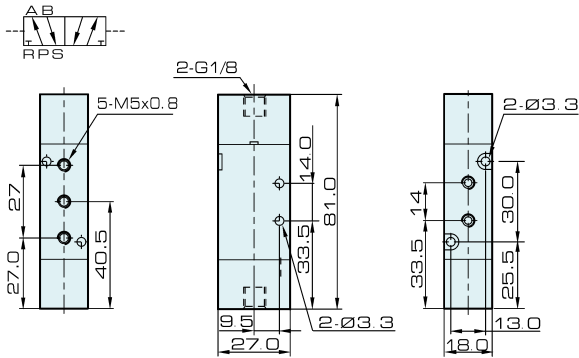
4A110-M5



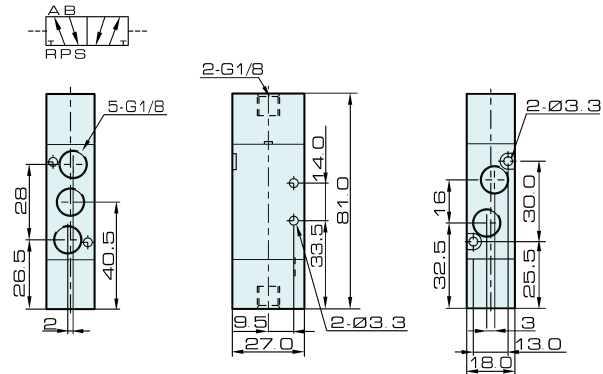
4A110-06



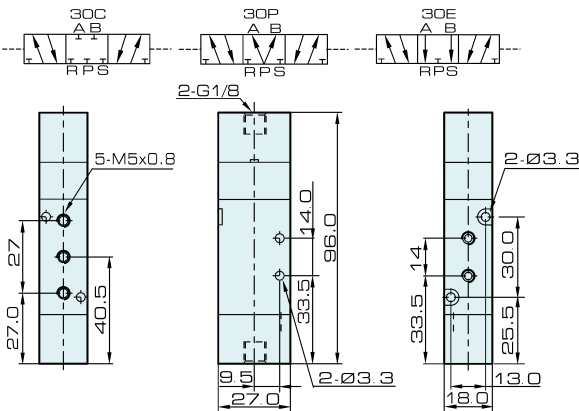
4A120-M5



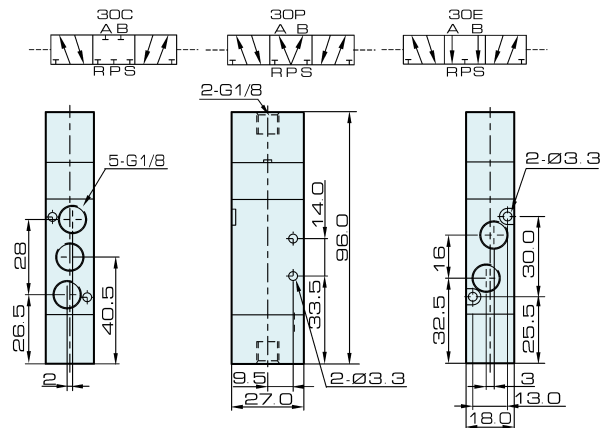
4A120-06



4A130-M5



4A130-06



Valve

- DJF
- JELMP
- JELP/G
- MCS
- 4V100
- 4V200
- 4V300
- 4V400
- Manifold
- SV
- 3V1
- JEL
- 3VJZF
- 4VJZF
- MVSD
- VF, VZ
- BM
- Diaphragm
- Coil
- 2V
- 2W
- 2W(Big)
- 2P
- 2L
- VX
- PU
- PU225
- 2Q
- JEL5404
- JEL6213
- BU
- Pulse
- JELJZF
- 4H
- TSV
- MPV
- 4HV
- HV, K
- 4R
- FV
- MSV
- JM
- ASC, RE
- QE, QEA
- ST
- HSV

4V100 Series

Solenoid Valve, Air Pilot Valve

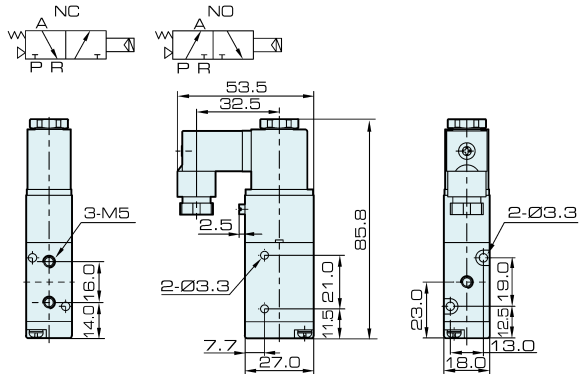


We make the difference

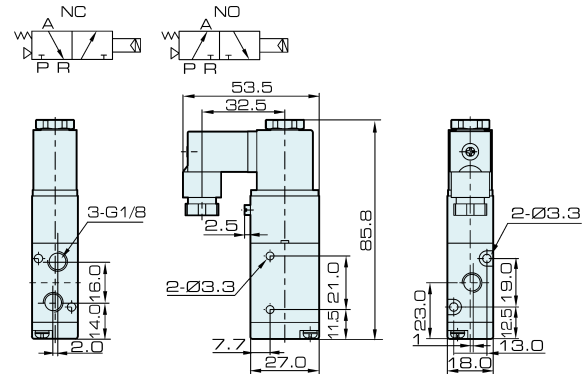
Overall Dimension

- Valve
- DJF
- JELMP
- JELP/G
- MCS
- 4V100
- 4V200
- 4V300
- 4V400
- Manifold
- SV
- 3V1
- JEL
- 3VJZF
- 4VJZF
- MVSD
- VF, VZ
- BM
- Diaphragm
- Coil
- 2V
- 2W
- 2W(Big)
- 2P
- 2L
- VX
- PU
- PU225
- 2Q
- JEL5404
- JEL6213
- BU
- Pulse
- JELJZF
- 4H
- TSV
- MPV
- 4HV
- HV, K
- 4R
- FV
- MSV
- JM
- ASC, RE
- QE, QEA
- ST
- HSV

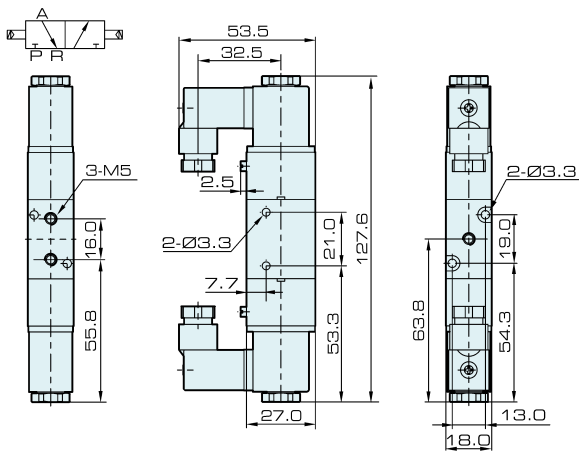
3V110-M5



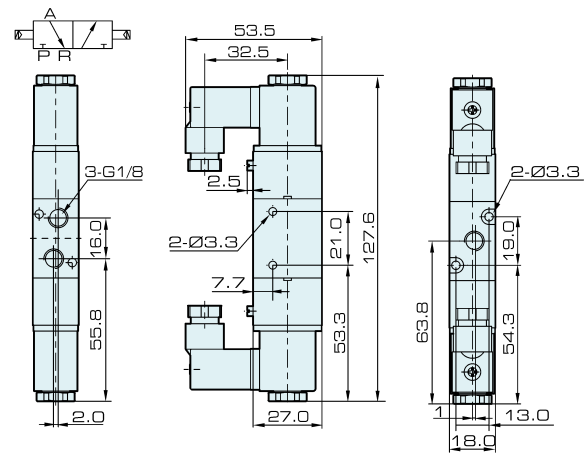
3V110-06



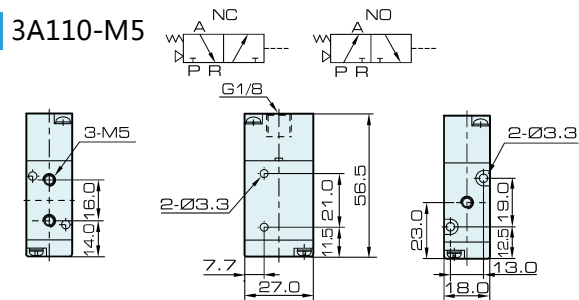
3V120-M5



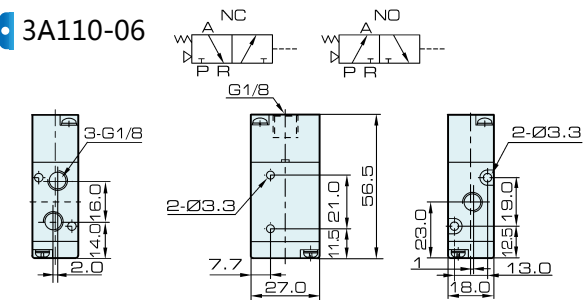
3V120-06



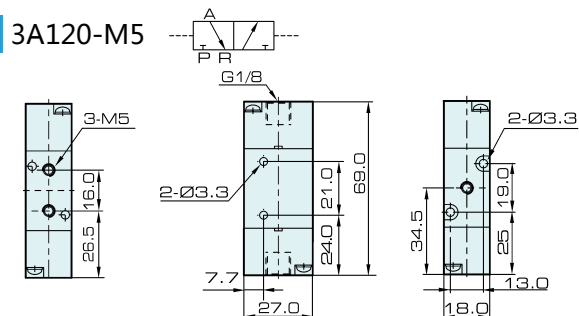
3A110-M5



3A110-06



3A120-M5



3A120-06

